

- Model 4A00 — Recessed *Bradex*[®]**
(recesses 3³/₄"; projects 2")
- Model 4A00-10 — Semi-Recessed**
(recesses 2"; projects 3³/₄")

Diplomat Series

Product Materials

FLANGE: 0.030-inch/22ga.-(0.76 mm) stainless steel with exposed surfaces in architectural satin finish. One-piece seamless construction, 5/8" wide with 1/4" return.

CABINET: 0.030-inch/22ga.-(0.76 mm) stainless steel with exposed surfaces in architectural satin finish. All welded construction matching curvature to other Bradley Diplomat washroom accessories.

PUSH FLAP DOOR: Fabricated of heavy gauge stainless steel with exposed surfaces in architectural satin finish. Heavy-duty stainless steel piano hinge and tumbler locks keyed like other Bradley units. Self-closing flap door.

Capacity

1.5 gal (0.2 cu. ft.)

Operation

Waste container removable from one side with finger grip.

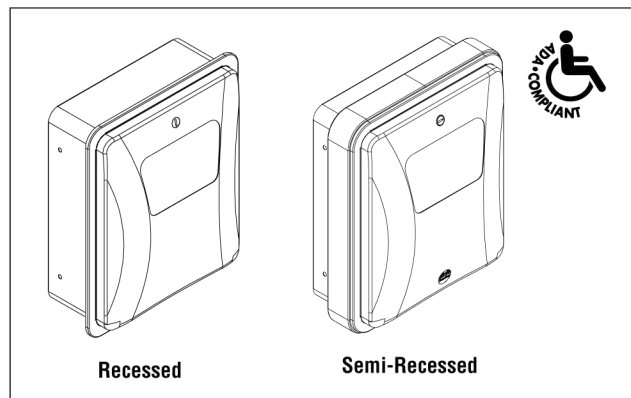
Installation

Verify all rough-in dimensions prior to installation. Requires partition opening 11¹/₄"W x 13³/₄"H x 4"D (Semi-recessed unit only 2"D). Secure unit to framing with mounting screws (not included) at holes provided. Shim at screw points as required.

Guide Specification

Wall-mounted, single-sided [recessed] [semi-recessed] napkin/tampon disposal unit with self-trimming flange, with face formed with contemporary contours, radii, and finish matching related accessories in manufacturer's designer series. Capacity 1.5 gal (0.2 cu. ft.). Equipped with push flap door with concealed hinges, hinged drop-down service door with keyed tumbler lock, and removable waste container. Universal keying. Formed from stainless steel sheet with satin finish on exposed surfaces, fully welded, with seamless corners and burr-free edges: cabinet, flange, and waste container 0.030-inch / 22-ga. thick; door 0.036-inch / 20-ga. thick.

Overall dimensions: 12⁵/₁₆"W x 14¹³/₁₆"H x 5³/₄"D.



MasterFormat Title: Commercial Toilet Accessories

MasterFormat Number: 10 28 13.13

OmniClass Title: Toilet and Bath Specialties

OmniClass Code: 23.31.25.00

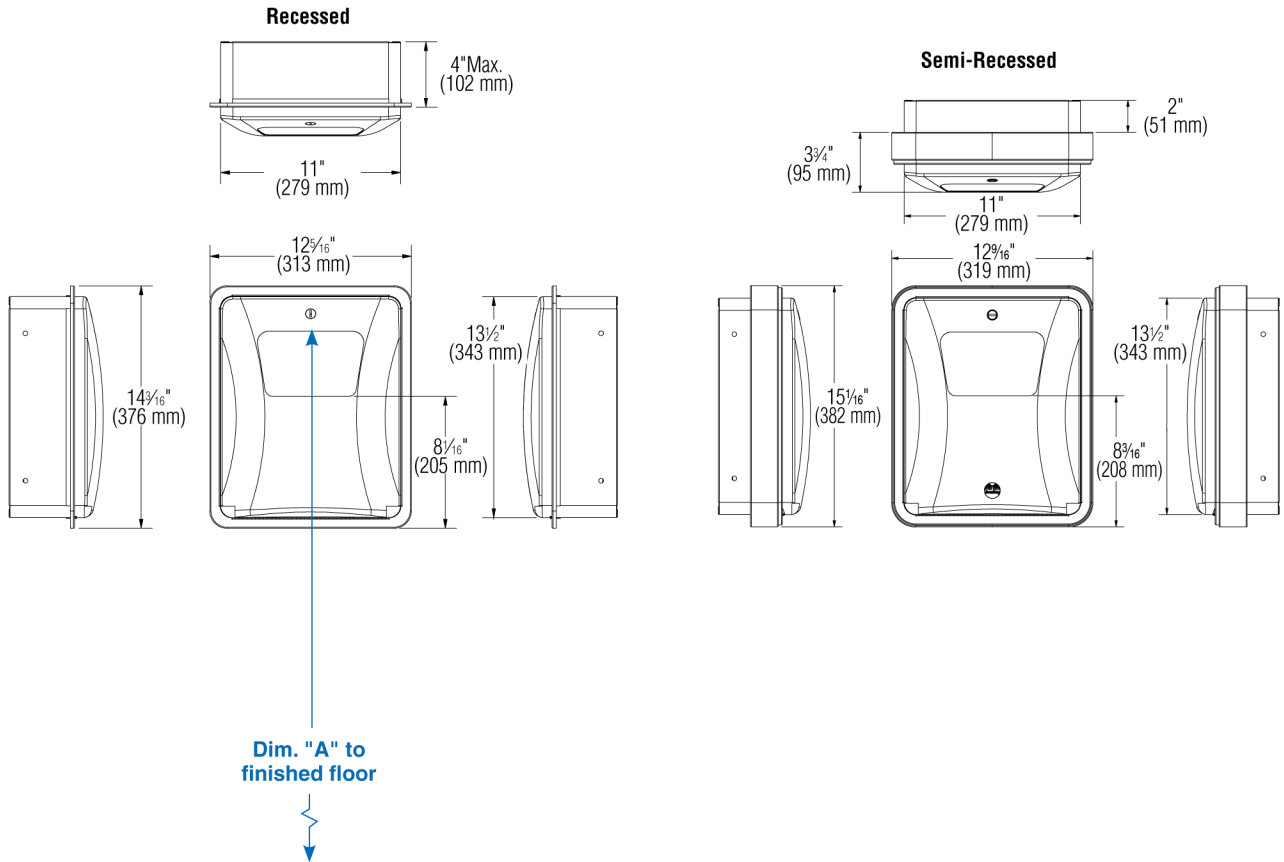
ADA Compliant

- Consult local and national accessibility codes for proper installation guidelines.
- Conformity and compliance to local and national codes is the responsibility of the installer.

For information on Warranties, Maintenance and BAA/ARRA Compliance, visit our web site at:

bradleycorp.com/products/accessories/.

Dimensions



Dim. "A" Key Surface:	For Dim. "A"	Locate Top of Rough Wall Opening	Locate Bottom of Rough Wall opening
Top of Door (4" Door Opening) to finished floor	48" (1219mm)	50" (1270mm)	36 ¹ / ₄ " (921mm)
	40" (1016mm)	42" (1067mm)	28 ¹ / ₄ " (718mm)
	32" (813mm)	34" (864mm)	20 ¹ / ₄ " (514mm)
	24" (610mm)	26" (660mm)	12 ¹ / ₄ " (311mm)