

Model 505 — Bradex®

- Controlled Delivery
- Single Roll (For Dual Roll see Model 522)

Product Materials

UNIT: diecast zinc. Copper and nickel polished chrome-plated finish.

Capacity

One standard core toilet tissue roll through 5" in diameter and 4½" wide.

Operation

Push button unlocks support arms to permit servicing of unit. Tension spring on stationary arm controls paper delivery.

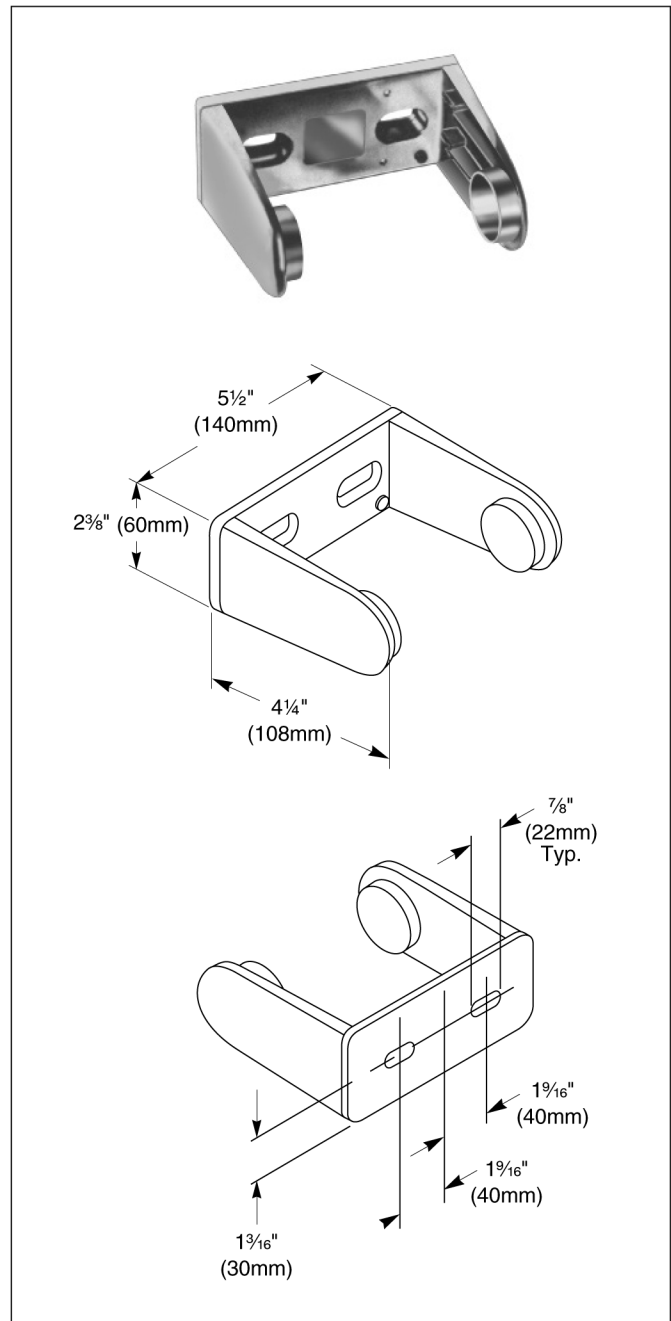
Installation

Verify all rough-in dimensions prior to installation. Secure to wall with mounting screws (included) at holes provided.

Guide Specification

Surface-mounted toilet tissue dispenser shall be chrome-plated diecast zinc and hold one standard core toilet tissue roll. Tension spring controls paper delivery.

Overall dimensions: 5½"W x 2¾"H x 4¼"D.



Orders composed of products indicated as **Bradex®** will be available to ship in three days after receipt of order at the factory. There is no pricing penalty for this service from Bradley.