

- Powdered Soap Dispenser
- Surface-Mounted
- Stainless Steel Body

Product Materials

BODY: 20 gauge stainless steel with exposed surfaces in architectural satin finish.

BACK: stainless steel.

VALVE: chrome-plated brass with stainless steel agitator spring.

BACK PLATE: plated steel.

Capacity

32-oz. powdered soap.

Operation

Depress knob to dispense powdered soap. Dispensing mechanism is adjustable. Dispenses .6 tsp. of soap per use. Special lock and key secures cover.

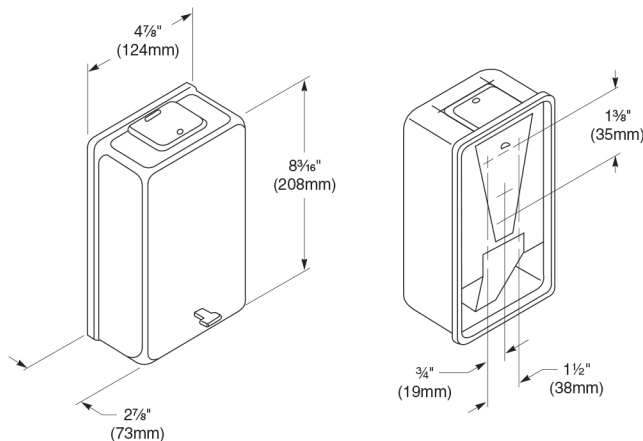
Installation

Verify all rough-in dimensions prior to installation. Secure separate mounting bracket to wall with mounting screws (included) at holes provided. Attach dispenser and secure locking screw thru top. If mounted under shelf, allow 4" clearance for filling.

Guide Specification

Surface-mounted powdered soap dispenser shall be fabricated of satin finished stainless steel with copper-and-nickel-plated interior. Valve has adjustable dispensing mechanism and stainless steel agitator spring. Unit shall have concealed mounting and vandal-resistant filler hole cover. Capacity: 32-oz. powdered soap.

Overall dimensions: 4⁷/₈"W x 8³/₁₆"H x 2⁷/₈"D.



Washroom Accessories
Document No. 8705