

- Urn Liquid Soap Dispenser
- Surface-Mounted

Product Materials

CONTAINER: high polish chrome-plated brass. Filler hole cover secured to unit with chain.

SOAP CONTAINER: plastic.

SOAP VALVE: piston assembly of chrome-plated plastic. Rear valve assembly of Delrin with Neoprene seal.

WALL PLATE: full-length heavy gauge stainless steel.

Capacity

12-oz. liquid soap.

Operation

Pump-type valve dispenses a measured amount of liquid soap with each stroke. Viewing slots in case reveal soap level. Filler hole cover, with locking chain, requires special wrench to open.

- Bradley liquid and lather soap valves operate best with any vegetable oil or coconut oil hand soap having a 10–15% soap concentration.

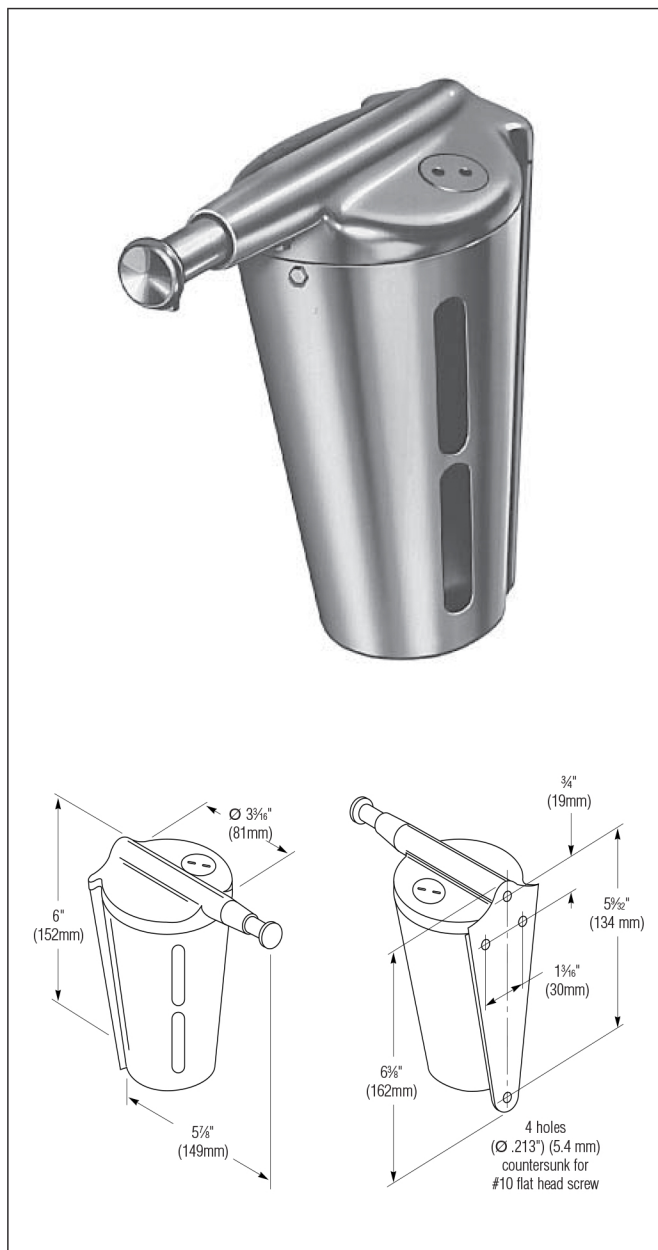
Installation

Verify all rough-in dimensions prior to installation. Secure separate mounting bracket to wall. Attach soap dispenser.

Guide Specification

Surface-mounted soap dispenser shall have pump type valve with 1/2" diameter chrome-plated plastic piston assembly in chrome plated housing. Soap level in plastic container shall be visible through viewing slots in chrome plated brass case. Dispenser shall have completely concealed mounting and vandal-proof filler hole cap. Capacity: 12-oz. liquid soap.

Overall dimensions: 3 3/4"W x 6"H x 5 7/8"D.



Washroom Accessories
Document No. 8695