

- Tank Type Vertical **Bradex**[®]
- Surface-Mounted
- ADA Compliant



Product Materials

BODY: 20 gauge stainless steel with exposed surfaces in architectural satin finish.

BACK: 20 gauge stainless steel; heliarc welded to the body.

WALL PLATE: stainless steel.

SOAP VALVE: chrome-plated brass housing with ABS plastic mechanism.

Capacity

40-oz. liquid soap.

Operation

Push-in valve dispenses measured amount of vegetable or coconut oil liquid soaps, synthetic detergents, and antiseptic solutions with less than 5 lbs. of force. Sight gauge indicates refill time. Locked filler top opens with special key provided.

- Bradley liquid soap valves operate best with any vegetable oil or coconut oil hand soap having a 10–15% soap concentration.

Installation

Verify all rough-in dimensions prior to installation. Secure separate mounting bracket to wall. Slide dispenser into place and secure locking screw through filler hole.

Guide Specification

Surface-mounted liquid soap dispenser shall be fabricated of 20 gauge satin finish stainless steel. Dispenser shall have completely concealed mounting, vandal-resistant filler hole cover and sight gauge. Push-in corrosion-resistant liquid soap valve. Capacity: 40-oz. liquid soap. Requires less than 5 lbs. of force to dispense soap.

Overall dimensions: 4¹³/₁₆"W x 8³/₁₆"H x 2⁷/₈"D.

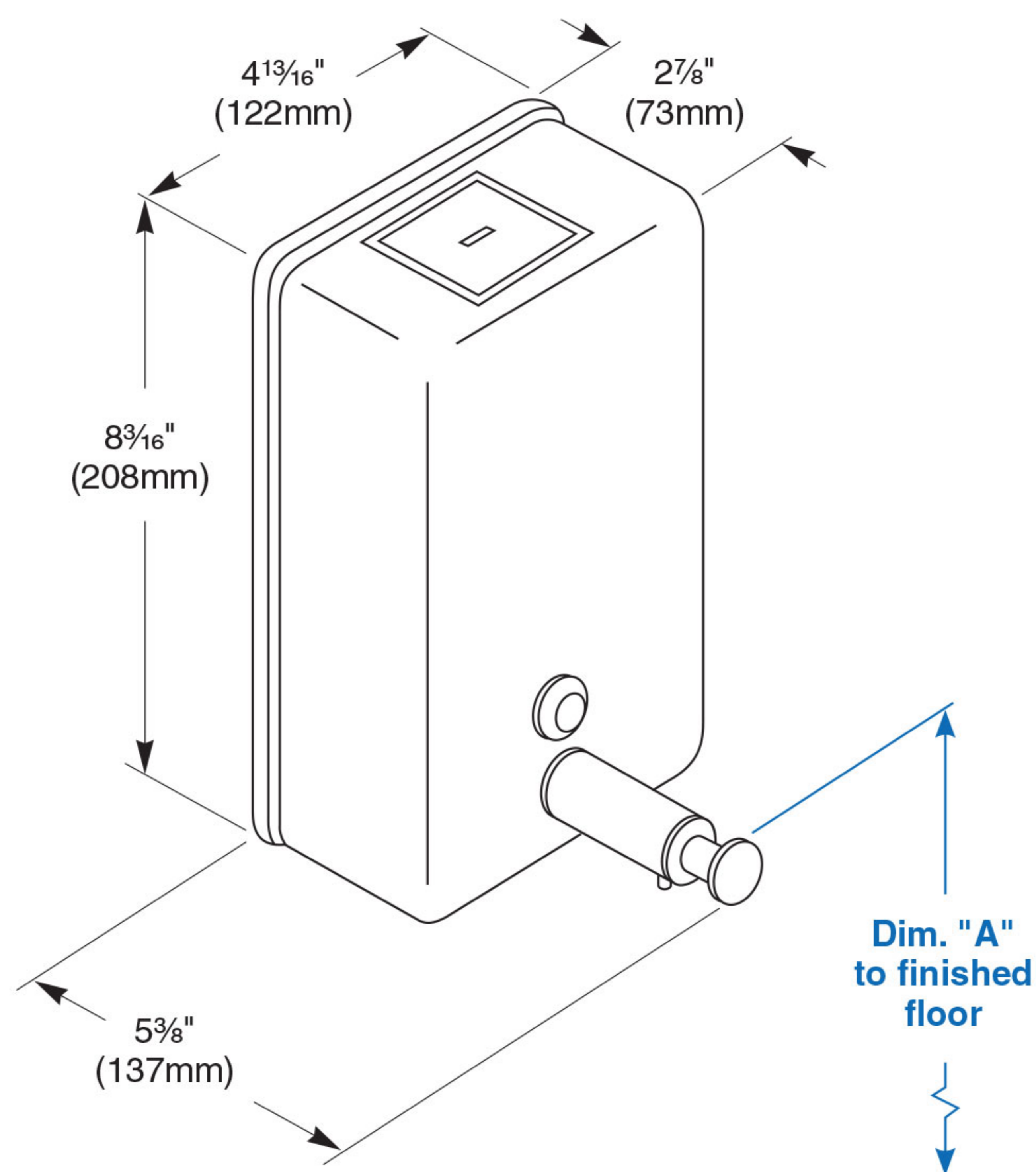


ADA Compliant

- Consult local and national accessibility codes for proper installation guidelines.
- Conformity and compliance to local and national codes is the responsibility of the installer.

Washroom Accessories
Document No. 8690

Dimensions



Dim. "A" Key Surface:	For Dim. "A"	Top of Unit	Bottom of Unit
Push button top to finished floor	40" (1016mm)	46 $\frac{3}{4}$ " (1187mm)	38 $\frac{1}{2}$ " (978mm)
	38" (965mm)	44 $\frac{3}{4}$ " (1137mm)	36 $\frac{1}{2}$ " (927mm)
	36" (914mm)	42 $\frac{3}{4}$ " (1086mm)	34 $\frac{1}{2}$ " (876mm)
	34" (864mm)	40 $\frac{3}{4}$ " (1035mm)	32 $\frac{1}{2}$ " (826mm)
Rough wall opening:			
Surface Mount:	No rough wall opening, see overall dimensions		

Washroom Accessories
Document No. 8690

Orders composed of products indicated as **Bradex**® will be available to ship in three days after receipt of order at the factory. There is no pricing penalty for this service from Bradley.

Page 2 of 2

This information is subject to change without notice.

2-28-2011

© 2011 Bradley Corporation

UnoClean.com
1-888-226-2724