

- Tank Type Horizontal **Bradex®**
- Surface-Mounted
- ADA Compliant



Product Materials

BODY: 20 gauge stainless steel with exposed surfaces in architectural satin finish.

BACK: 20 gauge stainless steel; welded to the body.

WALL PLATE: stainless steel.

SOAP VALVE: chrome-plated brass housing with ABS plastic mechanism.

Capacity

40-oz. liquid soap.

Operation

Push-in valve dispenses measured amount of vegetable or coconut oil liquid soaps, synthetic detergents, and antiseptic solutions with less than 5 lbs. of force. Sight gauge indicates refill time. Locked filler top opens with special key provided.

- Bradley liquid soap valves operate best with any vegetable oil or coconut oil hand soap having a 10–15% soap concentration.

Installation

Verify all rough-in dimensions prior to installation. Secure separate mounting bracket to wall. Slide dispenser into place and secure locking screw through filler hole.

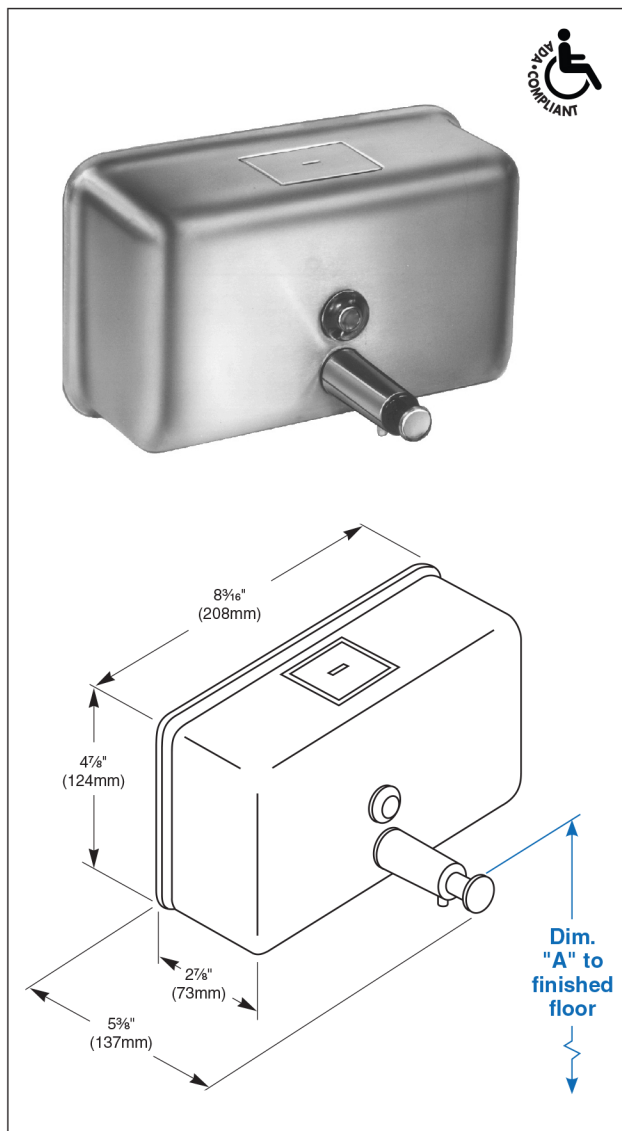
Guide Specification

Surface-mounted liquid soap dispenser shall be fabricated of 20 gauge satin finish stainless steel. Dispenser shall have completely concealed mounting, vandal-resistant filler hole cover and sight gauge. Push-in corrosion-resistant liquid soap valve. Capacity: 40-oz. liquid soap. Requires less than 5 lbs. of force to dispense soap.

Overall dimensions: 8⁹/₁₆"W x 4⁷/₈"H x 2¹/₈"D.

ADA Compliant

- Consult local and national accessibility codes for proper installation guidelines.
- Conformity and compliance to local and national codes is the responsibility of the installer.



Dim. "A" Key Surface:	For Dim. "A"	Top of Unit	Bottom of Unit
Push button top to finished floor	40" (1016mm)	43 ¹ / ₄ " (1099mm)	38 ³ / ₈ " (975mm)
	38" (965mm)	41 ¹ / ₄ " (1048mm)	36 ³ / ₈ " (924mm)
	36" (914mm)	39 ¹ / ₄ " (997mm)	34 ³ / ₈ " (873mm)
	34" (864mm)	37 ¹ / ₄ " (946mm)	32 ³ / ₈ " (822mm)
Rough wall opening:			
Surface-Mount:	No rough opening, see overall dimensions		

Washroom Accessories
Document No. 8680