



Model 583 — Surface-Mounted **Bradex**[®]

500 Capacity

Product Materials

COVER: 22 gauge stainless steel with exposed surfaces in architectural satin finish. Welded construction with burr-free edges, full length piano hinge and tumbler lock keyed like other Bradley units.

BACK: stainless steel.

Capacity

500 standard single-fold or half-fold toilet seat covers.

Operation

Cabinet bottom hinged for easy filling. Unit has spring clip dispensing mechanism.

Installation

Verify all rough-in dimensions prior to installation. Secure unit to wall or toilet partition with mounting screws (included) through mounting holes.

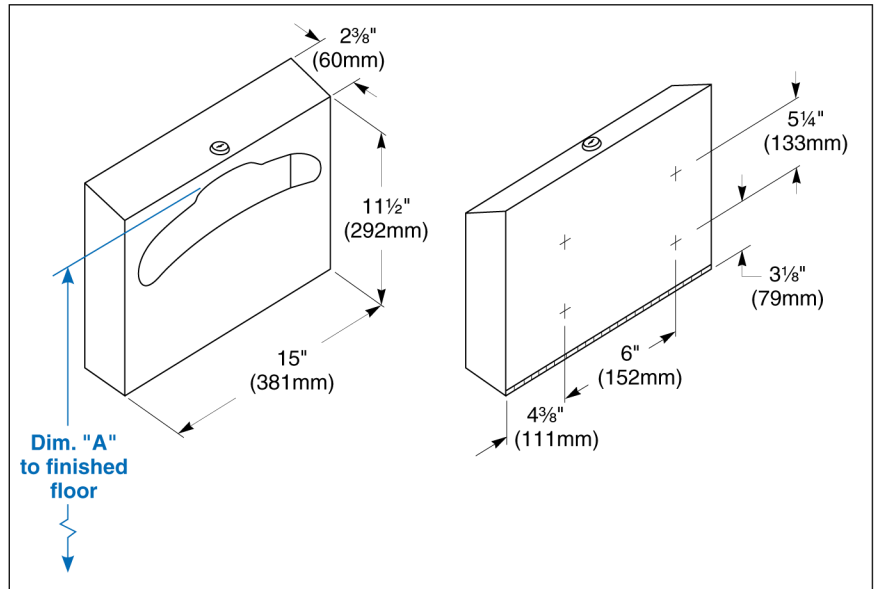
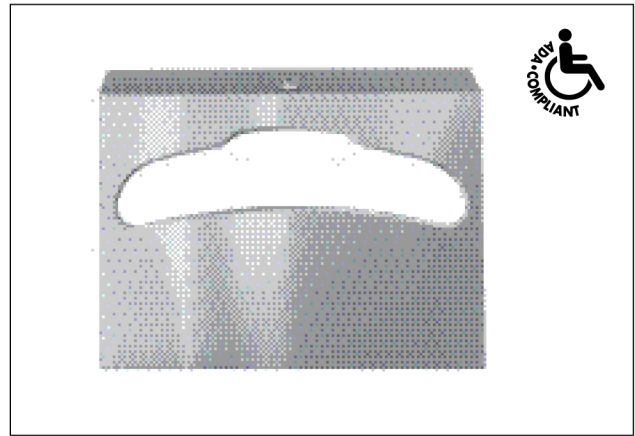
Guide Specification

Surface-mounted toilet seat cover dispenser shall be fabricated of 22-gauge stainless steel with exposed surfaces in satin finish with welded construction. Door with piano hinge and tumbler lock. Capacity 500 toilet seat covers.

Overall dimensions: 15"W x 11½"H x 2⅞"D.

ADA Compliant

- Consult local and national accessibility codes for proper installation guidelines.
- Conformity and compliance to local and national codes is the responsibility of the installer.



Dim. "A" Key Surface:	For Dim. "A"	Top of Unit	Bottom of Unit
Top of seat cover opening to finished floor	48" (1219mm)	50" (1270mm)	38⅞" (981mm)
	45" (1143mm)	47" (1194mm)	35⅝" (904mm)
	42" (1067mm)	44" (1118mm)	32⅝" (828mm)
	40" (1016mm)	42" (1067mm)	30⅝" (777mm)
Rough wall opening:			
Surface Mount:	No rough opening, see overall dimensions		

Orders composed of products indicated as **Bradex**[®] will be available to ship in three days after receipt of order at the factory. There is no pricing penalty for this service from Bradley.