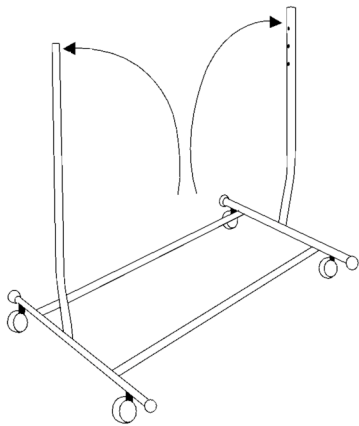




R&B Wire Products, Inc.

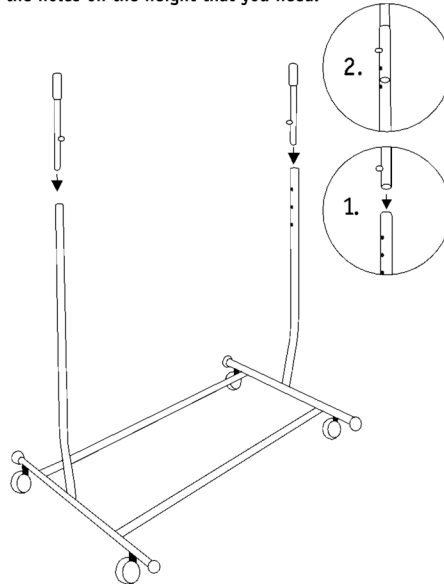
714 COLLAPSIBLE AND EXPANDABLE PORTABLE GARMENT RACK COMMERCIAL GUIDE

step 1



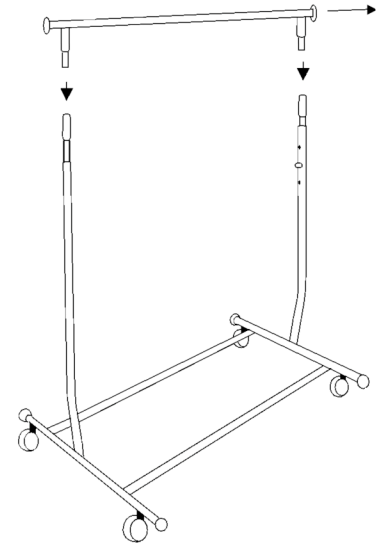
step 2

Make sure the knot goes through one of the holes on the height that you need.



step 3

Pull out end of bar to extend



Easy assembly. No tools required.

Collapsible and expandable portable garment rack assembly: Height adjusts from 56" to 68". The rod expands from 50" to 81". Chrome plated. 50" x 22" x 62" high. This handy garment rack gives a new meaning to the word "portable." Originally designed for the wholesale apparel trade, this imported medium-duty garment rack folds flat when not in use. This unique feature has 4" casters and enables the rack to fit easily in a car or van for transport and can almost disappear when stored away. Easy set-up allows you to roll it into any room for an instant closet. Ideal for meetings or any short term need. It's also perfect for home use. 65 lbs capacity.

WARNING

- Do not overload garment rack - 65lbs capacity.
- Distribute weight evenly and use caution when collapsing and assembling the garment rack.



2902 W. Garry, Santa Ana, California 92704
714/549-3355 • 800/634-0555 Toll Free • Fax 714/549-0625
E-mail: sales@rbwire.com www.rbwire.com



"YOUR RELIABLE PARTNER
FOR OVER 57 YEARS"