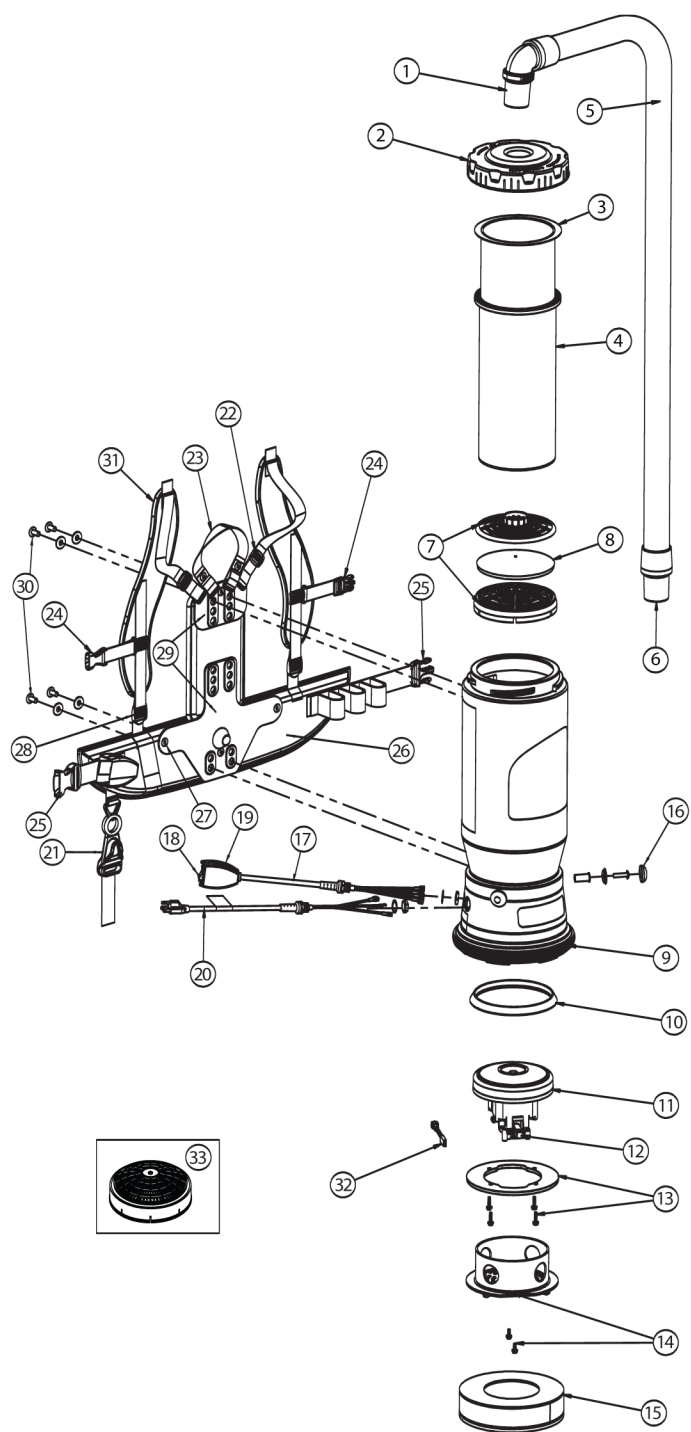


SUPER QUARTERVAC/SUPER QUARTERVAC HEPA PARTS



No.	Product Name	Qty
1	101928 Replacement Double Swivel Elbow Cuff (Black) 1 1/2"	1 ea.
2	106073 Twist Cap (Purple)	1 ea.
3	100431 496 Sq. In. Intercept Micro Filter	10/pk
4	100564 Micro Cloth Filter	1 ea.
5	103048 Static-Dissipating Hose (Black) w/Cuffs 1 1/2"	1 ea.
6	100694 Replacement Swivel Cuff (Black) 1 1/2"	1 ea.
7	100030 Dome Filter w/Foam Media	1 ea.
8	100343 Foam Filter Media for Dome Filter	1 ea.
	101220 High Filtration Disk (optional)	2/pk
9	100586 Bottom Bumper	1 set
10	100014 Tetraseal	1 ea.
11	105162 Motor/Fan (120 V) w/Crimps	1 ea.
	100379 Motor Ground Wire Clamp Set w/Screws	1 set
	100380 Motor Crimp Set: 4 Female, 4 Male, Ground Crimp Connector	1 set
12	105164 Carbon Brush Set (Domel Motor)	1 set
13	100335 Motor Compression Ring w/Screws	1 set
	100378 Compression Ring Screws: 4 Screws	1 set
14	105044 Motor Shroud Cover w/Screws: 2 Screws	1 set
15	105800 Sound Muffler	1 ea.
16	100368 Motor Mounting System Set: 3 Well Nuts, 3 Bolts, 3 Washers, 3 Covers	1 set
17	101714 Switch Cord w/Crimps	1 set
	101610 Switch Cord Assembly (includes: #17, 18, 19)	1 ea.
18	106066 On/Off Switch (must use with #106287)	1 ea.
	106287 Switch Box w/Velcro and Screws	1 ea.
19	101472 Switch Box w/Velcro and New Lamb Switch	1 set
20	100641 Power Cord (18" 14/3) Assembly	1 set
21	102604 Schulte Cord Holder	1 ea.
22	100358 Shoulder Strap Plastic Adjustment Buckle (Top)	1 ea.
23	101737 Carry Handle w/Rivet and Washer Set	1 set
24	103627 Sternum Strap Buckles (Latch and Keeper)	1 set
25	106719 Waist Belt Keeper and Latch	1 ea.
26	100359 Waist Belt (includes: #25)	1 ea.
27	100375 Barrel Nut Connection Set for Backplate (Replacement)	1 set
28	100357 Shoulder Strap Plastic Adjustment Buckle (Bottom)	1 ea.
29	105046 Backplate Assembly (includes: #27)	1 ea.
	100354 Strap Assembly Complete (includes: #26, 31)	1 set
	103166 Backplate System Complete (includes: #26, 29, 30, 31)	1 set
30	100716 Backplate (Black) Connection Set: 4 Screws w/Washers	1 set
31	100356 Shoulder Strap Assembly (includes: #22, 24, 28)	1 set
32	103476 Thermal Protector	1 ea.
33	106526 Replacement HEPA Dome Filter	1 ea.
	101678 50' Extension Cord (Not Shown)	1 ea.