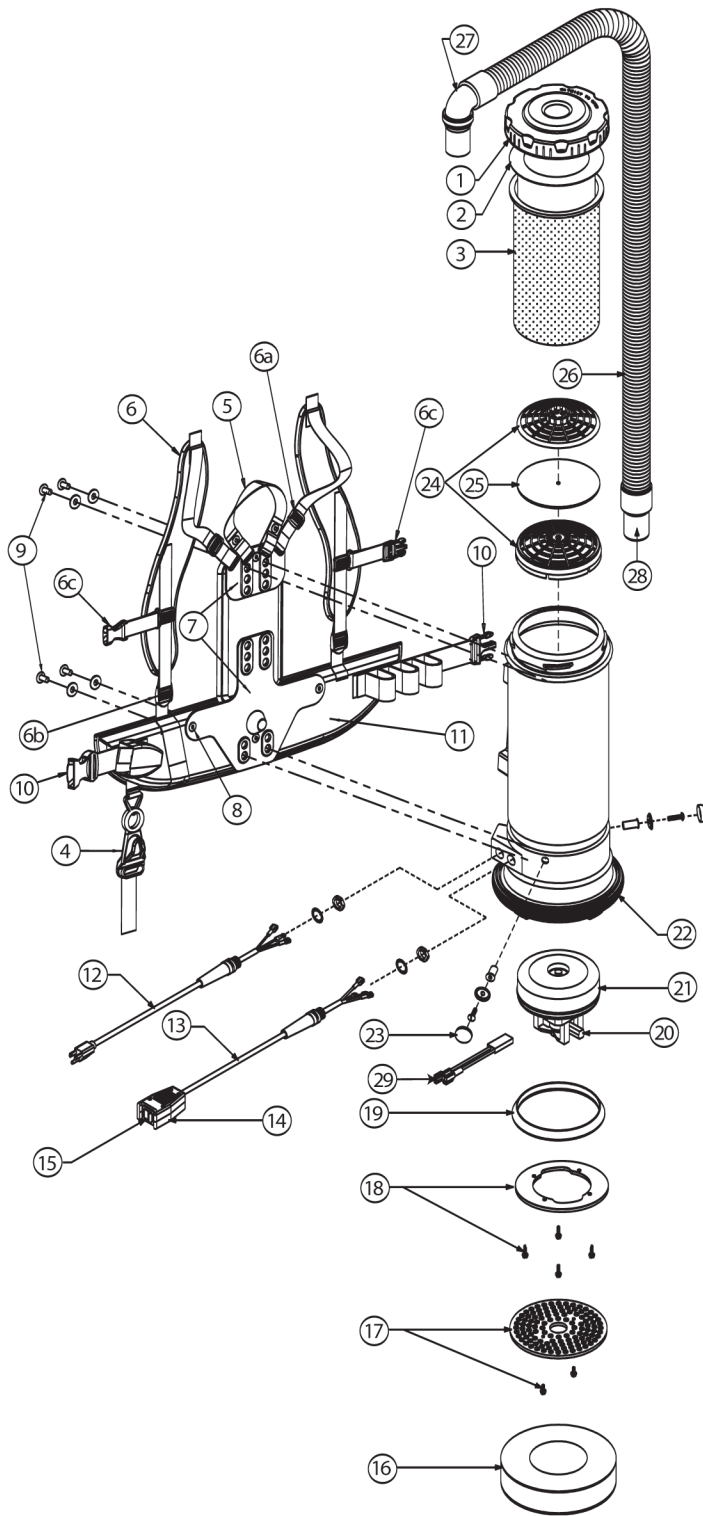


QUARTERVAC PARTS



No.	Product Name	Qty
1	104273 Twist Cap (Black)	1 ea.
2	100431 496 Sq. In. Intercept Micro Filter	10/pk
3	100564 Micro Cloth Filter	1 ea.
4	102604 Schulte Cord Holder	1 ea.
5	101737 Carry Handle w/Rivet and Washer Set	1 set
6	100356 Shoulder Strap Assembly (includes: #6a, 6b, 6c)	1 set
6a	100358 Shoulder Strap Plastic Adjustment Buckle (Top)	1 ea.
6b	100357 Shoulder Strap Plastic Adjustment Buckle (Bottom)	1 ea.
6c	103627 Sternum Strap Buckles (Latch and Keeper)	1 set
7	105046 Backplate (includes: #8)	1 ea.
8	100375 Barrel Nut Connection Set for Backplate (Replacement)	1 set
9	100716 Backplate (Black) Connection Set: 4 Screws w/Washers	1 set
10	106719 Waist Belt Keeper and Latch	1 ea.
11	100359 Waist Belt (includes: #10)	1 ea.
	100354 Strap Assembly Complete (includes: #6, 11)	1 set
	103166 Backplate (Black) System Complete (includes: #5, 6, 7, 8, 9, 11)	1 set
12	100641 Power Cord (18" 14/3) Assembly	1 set
13	101714 Switch Cord w/Crimps	1 set
	101610 Switch Cord Assembly (includes: #13, 14, 15)	1 ea.
14	101472 Switch Box w/Velcro and New Lamb Switch	1 set
15	106066 On/Off Switch (must use with 106287)	1 ea.
	106287 Switch Box w/Velcro and Screws	1 ea.
16	100698 Sound Muffler	1 ea.
17	100352 Plastic Air Diffuser w/Screw Set: 2 Screws	1 set
18	100335 Motor Compression Ring w/Screws	1 set
	100378 Compression Ring Screws: 4 Screws	1 set
19	100014 Tetraseal	1 ea.
20	105697 Carbon Brush Set for QuarterVac Motor (Domel Motor)	1 set
	101531 Carbon Brush Set for QuarterVac Motor (Ametek Motor)	1 set
21	105721 Motor/Fan (120 V) w/Crimps	1 ea.
	100379 Motor Ground Wire Clamp Set w/Screws	1 set
	100380 Motor Crimp Set: 4 Female, 4 Male, Ground Crimp Connector	1 set
22	100586 Bottom Bumper	1 set
23	100368 Motor Mounting System Set: 3 Well Nuts, 3 Bolts, 3 Washers, 3 Covers	1 set
24	100030 Dome Filter w/Foam Media	1 ea.
25	100343 Foam Filter Media for Dome Filter	1 ea.
	101220 High Filtration Disk (optional)	2/pk
26	103048 Static-Dissipating Hose (Black) w/Cuffs 1 1/2"	1 ea.
27	101928 Replacement Double Swivel Elbow Cuff (Black) 1 1/2"	1 ea.
28	100694 Replacement Swivel Cuff (Black) 1 1/2"	1 ea.
29	103476 Thermal Protector	1 ea.
	101678 50' Extension Cord (Not Shown)	1 ea.