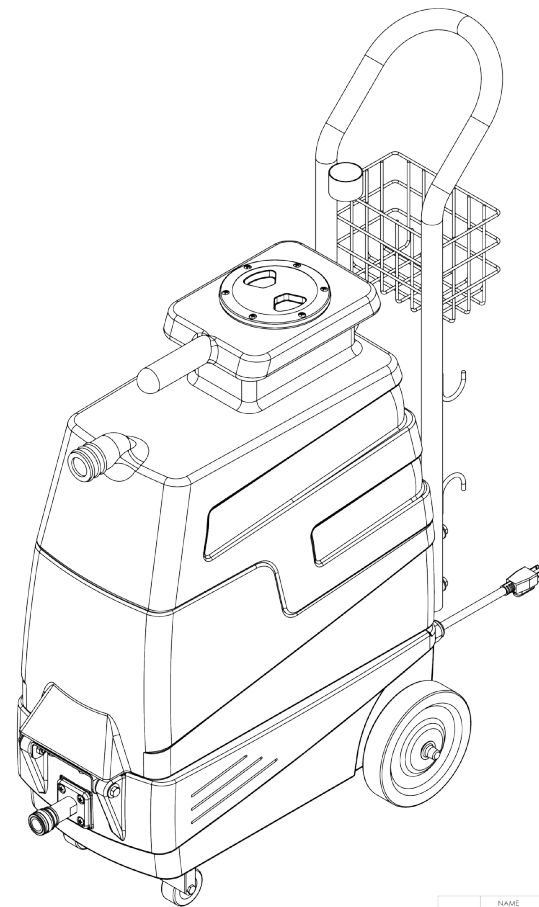




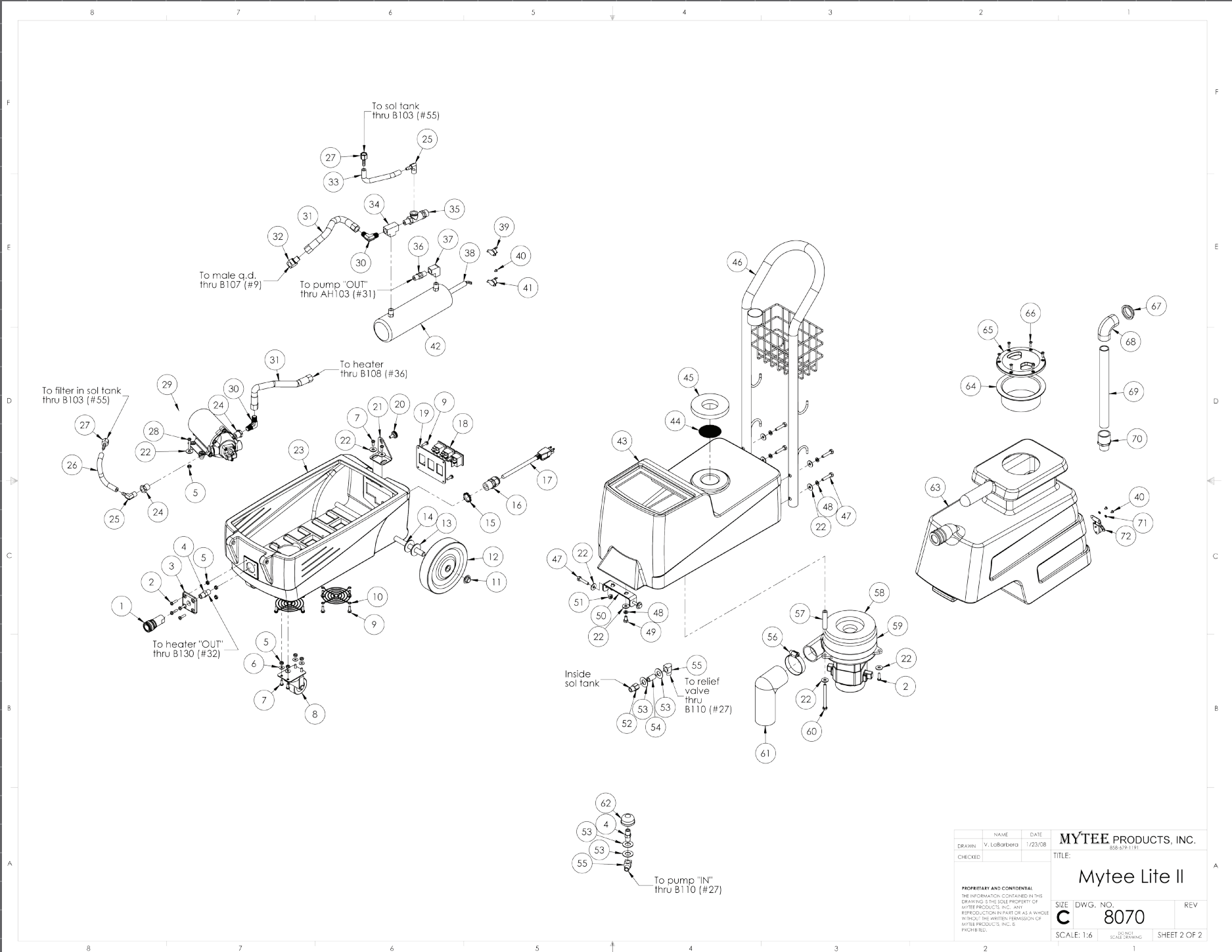
ENGLISH VERSION

ITEM NO.	PART NO.	DESCRIPTION	QTY.
1	B102	qd, brass, 1/4" f	1
2	H256	screw, #10-32 x 3/4" phil pan head, zinc	6
3	H484	plate, mounting, QD	1
4	B107	nipple, brass, 1/4"m, hex	2
5	H273	nut, kep, #10-32 zinc	15
6	H289	washer, #10 flat, s/s	8
7	H230	screw, 10-32 x 1/2 phil pan	10
8	H681	caster, 2"	2
9	H343	screw, #10 x 5/8" hex head, zinc	12
10	H296	guard, cooling fan, wire	2
11	H219	cap, axle, 1/2"	2
12	H279	wheel, 6"	2
13	H254	washer, axle, cut 1/2" id	4
14	H228	axle, 1/2" x 13-1/2", MLLI	1
15	H221	nut, lock, 1/2" steel	1
16	H220	fitting, strain relief, cord	1
17	E532	power cord, end, 25', 14/3 yellow	1
18	E515	switch, rocker, 2 position	3
19	H636	plate, switch, ml/trkr, 3 hole	1
20	H922	knob, thumb screw, for bracket	1
21	H904	bracket, L, MLLI/tracker	1
22	H210	washer, 1/4" flat, s/s	16
23	P788	base, mytee lite II	1
24	B105	bushing, brass, 3/8"mpt x 1/4"	2
25	B152	elbow, brass, 90 deg, 1/4" barb x 1/4" mpt	2
26	PH634-14	sol hose, 1/4" kuri 150psi	1
27	B110	adapter, brass, 1/4" sw barb x 1/4" fpt, w/gasket	2
28	H222	screw, #10-32 x 1-1/4" phil pan head, zinc	3
29	C305	pump, 100psi, demand, 115V	1
30	B136	elbow, brass, 90 deg, 1/4" mpt x 1/4" mpt	2
31	AH103	hose, 3/8" x 10', (OAL), f x fsw, surge, 1600psi	2
32	B130	elbow, brass, 45 deg, 1/4" mpt x 1/4" fpt	1
33	PH634-20	sol hose, 1/4" kuri 150psi	1
34	B113	tee, brass, 1/4" fpt	1
35	B124	valve, brass, relief, 175 psi	1
36	B108	valve, brass, 1/4" check	1
37	B207	elbow, brass, 90 deg, 1/4" fpt x 1/4" fpt	1
38	E519	heating rod, 1000W, 115V	1
39	E573	Thermostat, 200°, Auto, 1/4"	1
40	H274	screw, #6 x 3/16, phil pan head, self-tapping	9
41	E574	Thermostat, 310°F ± 10°F, Manual, 1/4"	1
42	H903A	heater, aluminum cast, single w/wrap & drilled holes	1
43	P787	sol tank, mytee lite II	1
44	G021	screen, mesh filter, 2-3/8" dia	1
45	G075	gasket, vacuum, ml II	1
46	H688	handle, MLLI w/basket	1
47	H203	bolt, 1/4-20 x 1-1/4" hex head	6
48	H213	washer, 1/4" lock, s/s	6
49	H201	bolt, 1/4-20 x 1/2" hex head, zinc	2
50	H379	bracket, front, kodiak	1
51	H216	nut, lock, 1/4-20, nylon insert, s/s	2
52	B111	adapter, brass, extender, 1/4" mpt x 1/4" fpt, hex	1
53	H212	washer, 9/16" id x 1" od, flat, s/s	4
54	B106	nipple, brass, 1/4" x close	1
55	B103	elbow, brass, 90 deg, 1/4" mpt x 1/4" fpt	2
56	H217	clamp, hose, 2-1/4 DIA	1
57	PH634-2	sol hose, 1/4" kuri 150psi	1
58	G004	gasket, vacuum motor	1
59	C301	vac motor, 2 stage, 115V, tangential	1
60	H288	bolt, 1/4-20 x 3"	1

ITEM NO.	PART NO.	DESCRIPTION	QTY.
61	G059	exhaust boot, plastisol	1
62	B119	filter, strainer, 1/4"	1
63	P789	vac tank, mytee lite II	1
64	G058	vac tank deflector	1
65	G030	lid, vac tank, 3.5', clear	1
66	H304	screw, #8 x 5/8 phil oval, s/s	6
67	H664	filter strainer, spotter	1
68	H645	pvc, 90, 3/4"	1
69	PH610-12	pipe, pvc, 3/4"	1
70	H644	adapter, pvc, 3/4"	1
71	H275	6-32 x 3/16 p-pan internal sem zinc	4
72	H906	latch, front, ML II lock (Need H906A)	1



NAME	DATE	MYTEE PRODUCTS, INC.	
DRAWN: V. LaBarbera	1/23/08	858-679112	
CHECKED:		TITLE:	
		Mytee Lite II	
<small>           PROPRIETARY AND CONFIDENTIAL            THE INFORMATION CONTAINED IN THIS            DRAWING IS THE SOLE PROPERTY OF            MYTEE PRODUCTS, INC. ANY            REPRODUCTION IN PART OR AS A WHOLE            WITHOUT THE WRITTEN PERMISSION OF            MYTEE PRODUCTS, INC. IS            PROHIBITED.         </small>		SIZE DWG. NO. <b>C 8070</b>	REV
SCALE: 1:4	DISTANCE SCALE DRAWING	SHEET 1 OF 2	



NAME	DATE	MYTEE PRODUCTS, INC.	
DRAWN V. Labarbera	1/23/08	800-953-1191	
CHECKED		TITLE: <b>Mytee Lite II</b>	
<small>PROPRIETARY AND CONFIDENTIAL THE INFORMATION CONTAINED IN THIS DRAWING IS THE SOLE PROPERTY OF MYTEE PRODUCTS, INC. ANY REPRODUCTION IN PART OR AS A WHOLE WITHOUT THE WRITTEN PERMISSION OF MYTEE PRODUCTS, INC. IS PROHIBITED.</small>		SIZE <b>C</b>	DWG. NO. <b>8070</b>
SCALE: 1:6		CONTACT SCALE DRAWING	REV SHEET 2 OF 2