

Flammable Liquid Recovery Vacuum

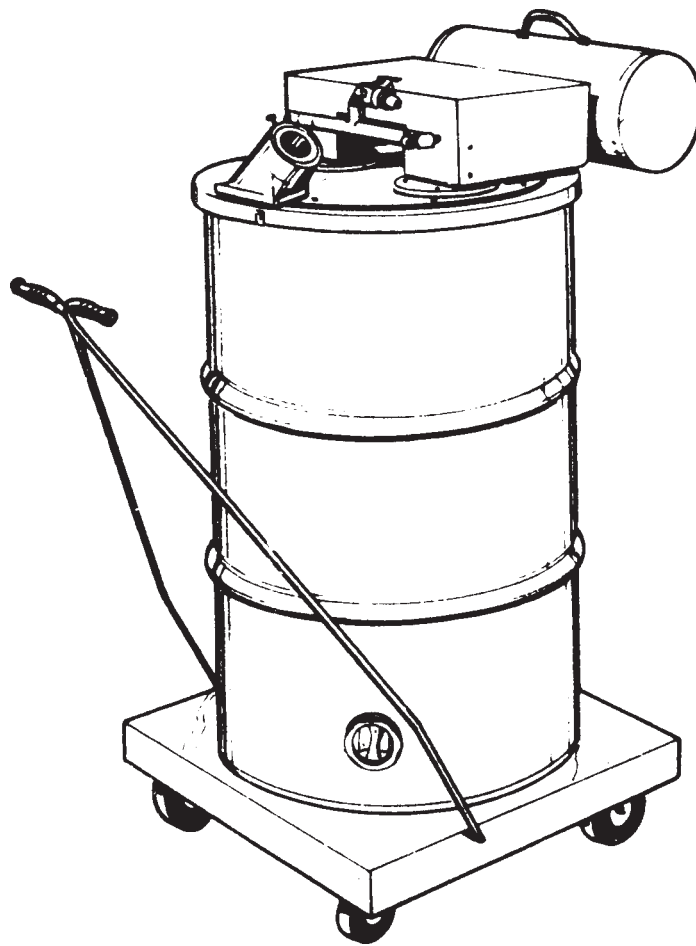
Model:
C87355-01
7910-00-632-9840

OPERATION

SERVICE

PARTS

CARE



Revised 7/02

Minuteman[®]

Model C87355-01, Air Operated Wet/Dry Vacuums

Operating Instructions

Inspection

Carefully unpack and inspect your machine for shipping damage. Each unit is tested and thoroughly inspected before shipment. Therefore any damage is the responsibility of the delivering carrier who should be notified. Read all instructions carefully before operating.

Special Warning

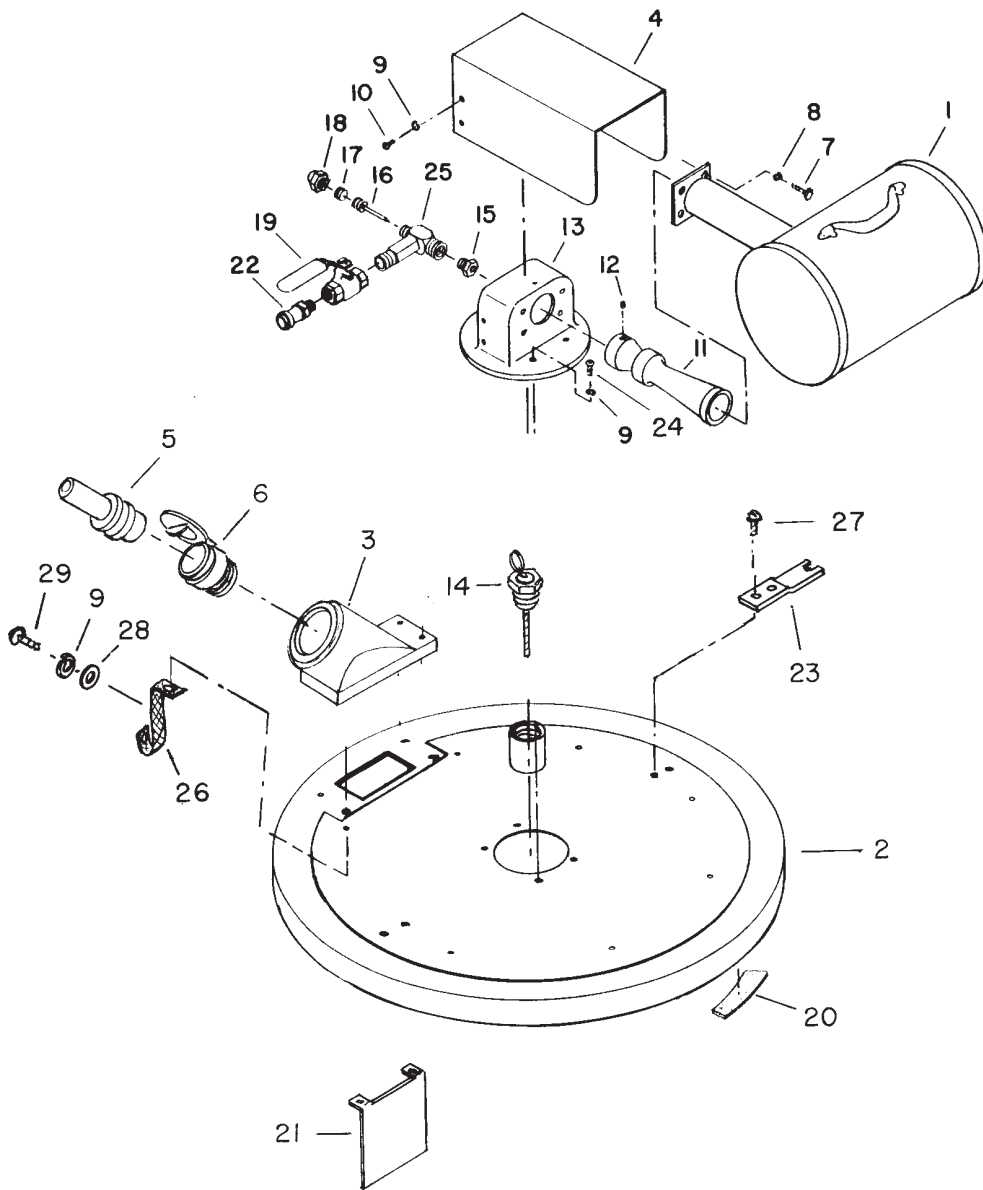
Air operated equipment can generate static electricity during use. Static dissipating arcing can be generated and occur if equipment and accessories are not grounded.

Air Pressure and CFM Volume Required

For maximum performance, operate with requirements listed below:

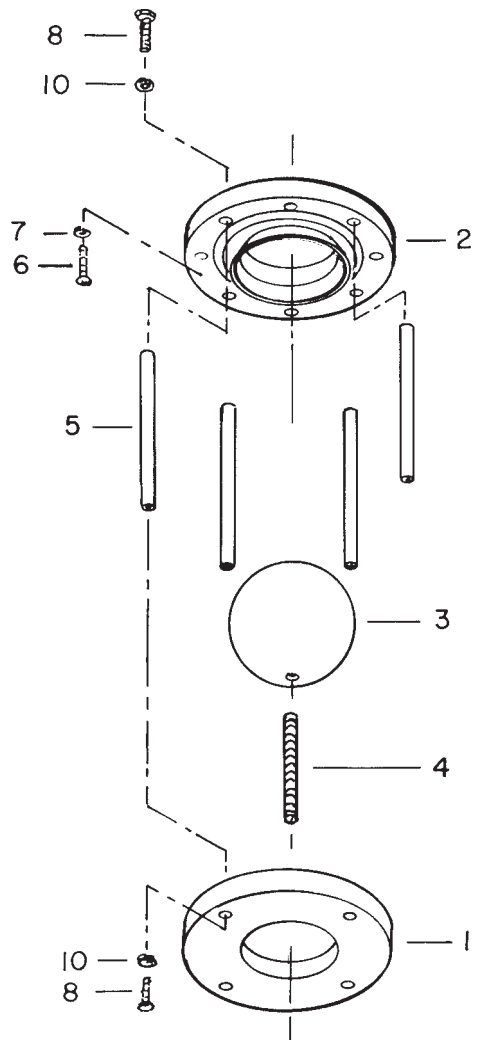
Model	Air Supply Line	Maximum Pressure	CFM
C87355-01	1/2"	100	46

Air pressure control valve can be regulated to operate with lower pressure and CFM when maximum is not required. OPTIONAL: Air pressure regulator can be attached at air valve for positive air pressure and CFM control.



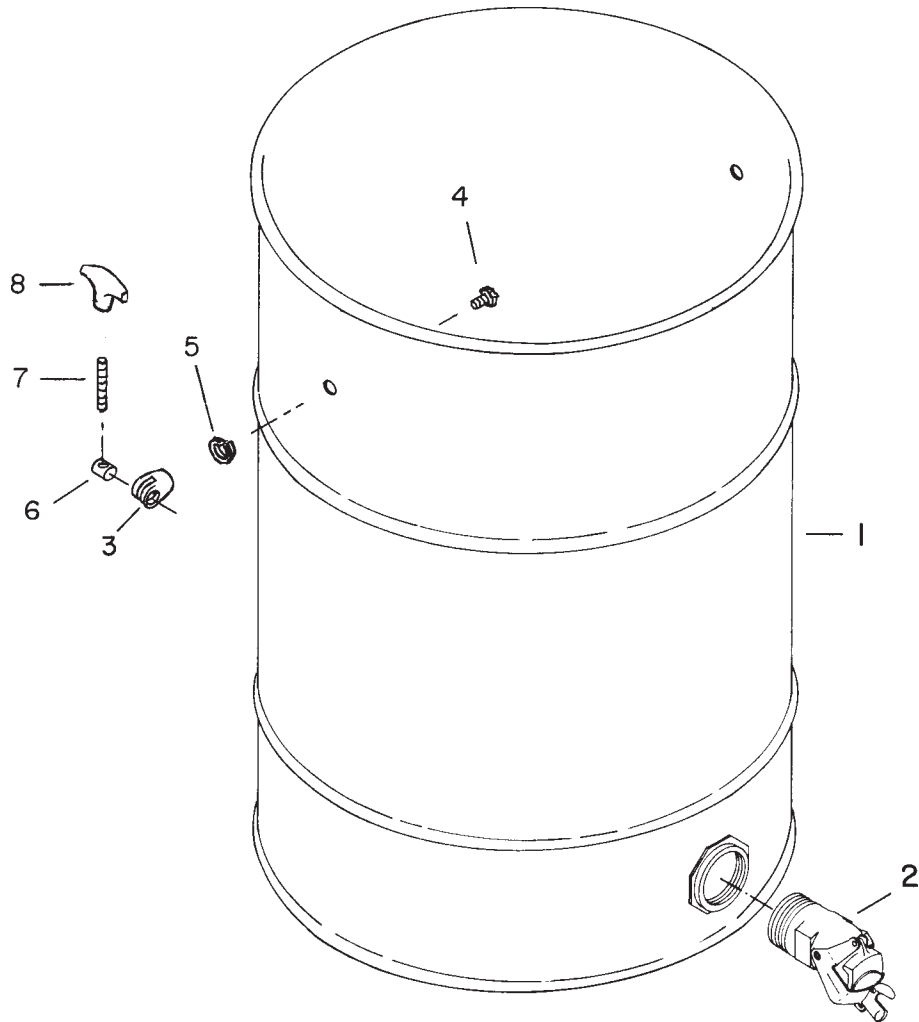
Parts List

Item	Part No.	Qty.	Description	Item	Part No.	Qty.	Description
1	701033	1	Muffler/Flame Arrester	16	750641	1	Needle Asy
2	7910001	1	Lid Sub Asy	17	711010	1	SCR-SK 3/8-24 x .25
3	7910005	1	Intake Asy Complete	18	711357	1	Nut-Acron 5/8-11 STPL
4	760998	1	Cover	19	701009	1	Valve, .50
5	7910018	1	Inlet Hose Asy	20	791025	1	Lid Gasket Buna-N
6	7910006	1	Intake Valve	21	760159	1	Splash Guard
7	711229	4	BLT-HH 5/16-18 x .87 STPL	22	701010	1	Coupler, Male .50
8	711545	4	WSR-Helical 5/16	23	7910009	2	Latch Plate Lid Asy
9	711542	13	WSR-Helical #10	24	710356	8	SCR-MC 10-32 x .62 STPL
10	710353	4	SCR-MC 10-32 x .37 STPL	25	701007	1	Asy, Air Inlet
11	701006MCH	1	Venturi Horn	26	701204	1	Wire, Braided Grnd Strap
12	711005	1	SCR-SK 1/4-20 x .31	27	711109	8	SCR-ST-A 12 x .50 PL
13	701005MCH	1	HSG, Air Vac Mch	28	711503	2	WSR-Flat #10
14	7910010	1	Relief Valve	29	710352	1	SCR-MC 10-32 x .25 STPL
15	701029	1	Orifice, Hex	***	7910000	1	Lid Asy Complete



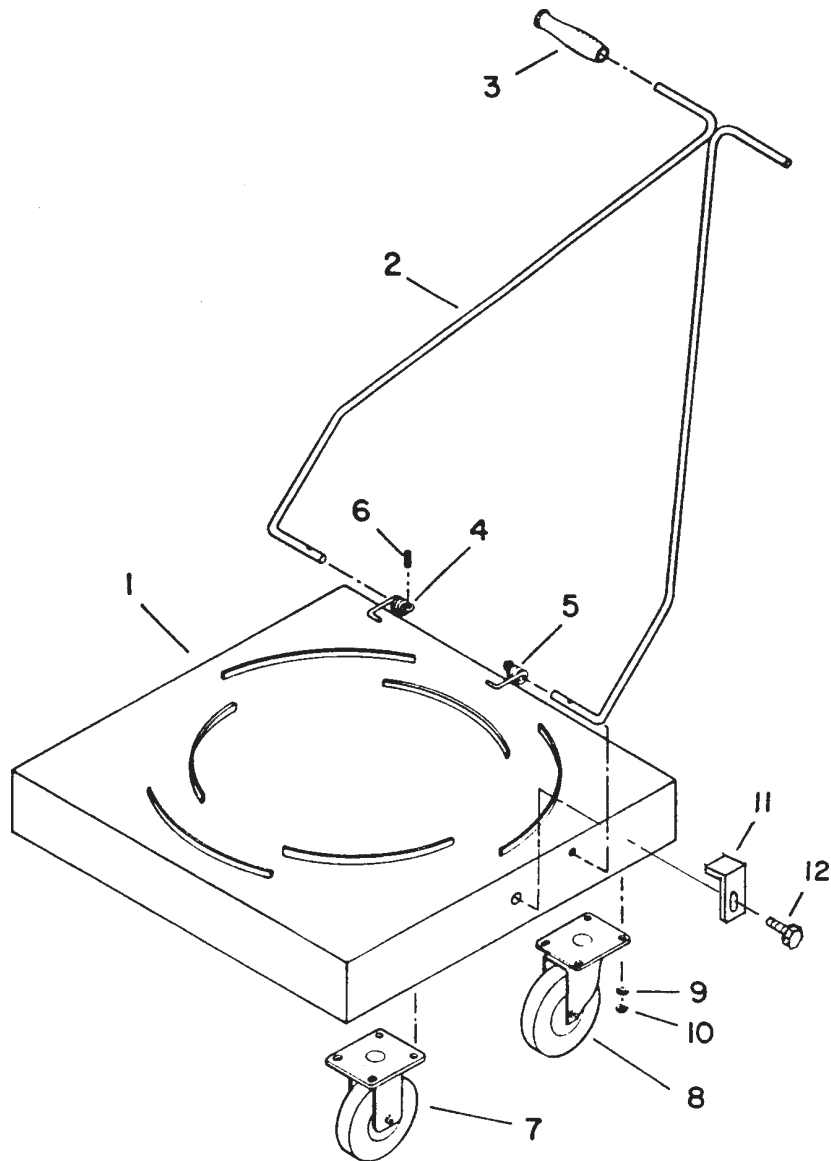
Parts List

Item	Part No.	Qty.	Description
1	701041	1	Plate, End Cap Water Shut
2	750049	1	Plate & Tube Asy Exp
3	701016	1	Ball, Float 4 Dia
4	701013	1	Stud
5	515007	4	Rod Spacer for 51006
6	710360	2	SCR-MC 10-32 x 1.00 STPL
7	711543	2	WSR-Helical #10
8	711204	4	BLT-HH 1/4-20 x .75 STPL
9	711206	4	BLT-HH 1/4-20 x .87 STPL
10	711544	10	WSR-Helical 1/4
***	515006	1	Liquid Shut Off Asy 55G



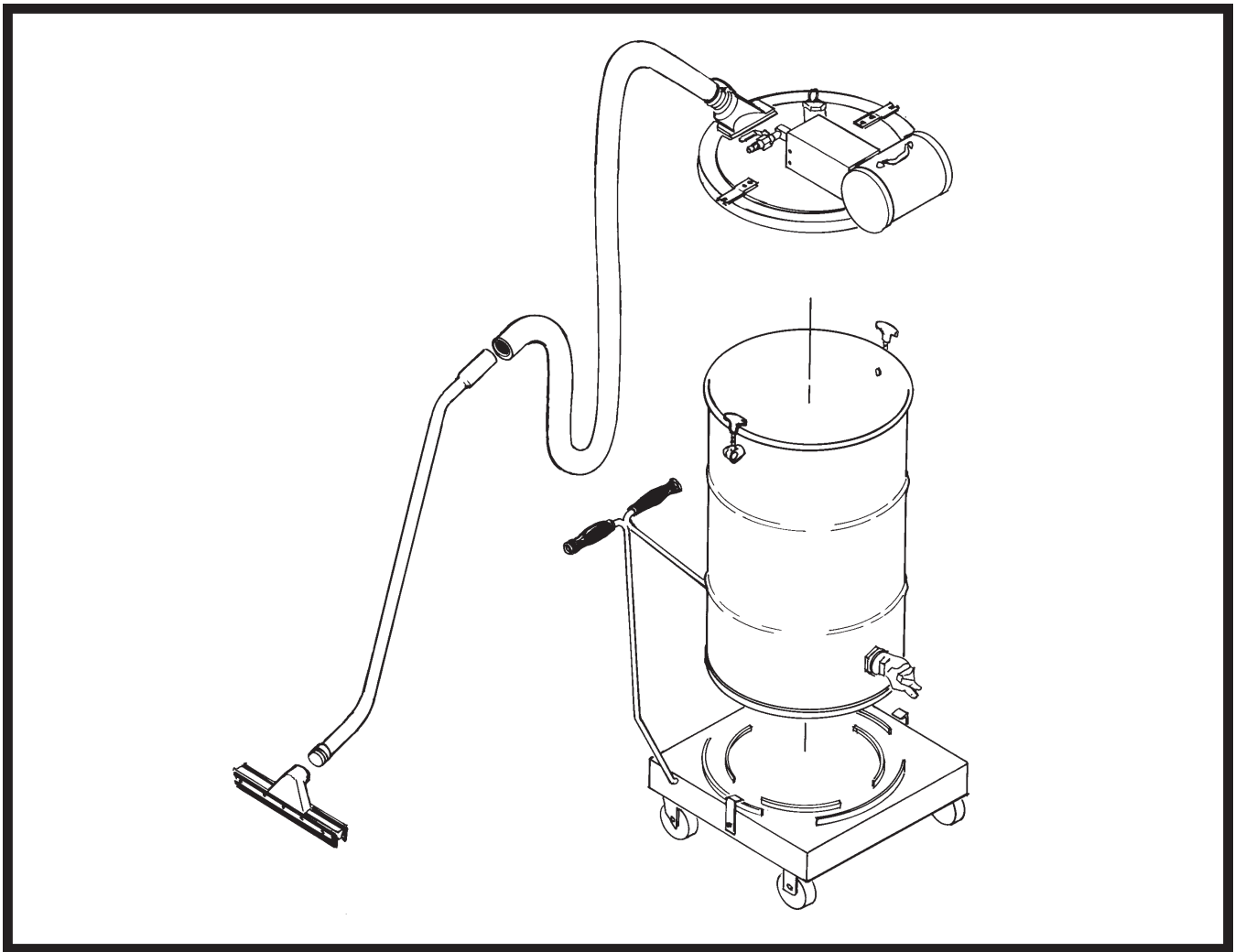
Parts List

Item	Part No.	Qty.	Description
1	7910012	1	Drum 55 Gal Red with Yellow
2	7910017	1	Dump Valve 2"
3	130071PLT	2	Cam Chrome Plated
4	712089	2	BLT HH 1/2 x 13 5/8
5	711556	2	WSR-Internal Lock 1/2
6	130073PLT	2	Pin, Cam Plated
7	712033	2	Stud 3/8-16 x 4.00 ST
8	130015	2	Handle, Tee
9	722508	2	WSR-Flat .44 x 1.00 x .06
***	7910011	1	Drum Asy Comp with Yellow Band




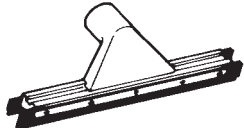


Parts List

Item	Part No.	Qty.	Description
1	750045	1	Weldment Dolly 30/55
2	900051	1	Weldment, Hamdle
3	900052	2	Grip, Handle
4	900080	1	Spring, Torsion RH
5	900081	1	Spring LH
6	711642	2	Rollpin .187 x 1.00
7	7910015	2	Caster Rigid Conductive
8	7910014	2	Caster Swivel with Brake
9	711545	16	WSR-Helical 5/16
10	711319	16	Nut-Hex 5/16-18 STPL
11	7910016	2	Dolly Drum Loc Bkt
12	712083	2	BLT Flgd Wizz Loc 3/8 x 16
***	7910013	1	Dolly Asy 55G with Cond Whl



TOOLS AND ACCESSORIES

	Part No.	Description
A		7910019 Hose Nitrile 1.5 x 25 Comp.
B		800034 24" Crev Tool Aluminum Comp
C		800267 Exp-Proof Wand Asy 1-1/2 Comp
D		7910022 712516 800121 800178MCH 7910023 7910024 Squeege Tool Buna-N Comp SCR-SC 8/32 x .62 SS 14" Retaining Strip Casting Blade Buna-N Wide Blade Buna-N Narrow

LIMITED WARRANTY

Minuteman International, Inc. warrants to the original purchaser/user that this product is free from defects in workmanship and materials under normal use and service for a period of three years from date of purchase. In addition, Minuteman International, Inc. will, at its option, honor labor warranty claims for the first 12 months from date of sale, provided such claims are submitted through and approved by factory authorized repair stations. Minuteman International, Inc. will, at its option, repair or replace without charge, except for transportation costs, parts that fail under normal use and service when operated and maintained in accordance with the applicable operation and instruction manuals.

This warranty does not apply to normal wear, or to items whose life is dependent on their use and care, such as belts, cords, switches, hoses, rubber parts, electrical motor components or adjustments. Parts not manufactured by Minuteman International, Inc. such as engines, batteries, battery chargers, hydraulic pumps, and tires are covered by and subject to the warranties and/or guarantees of their manufacturers. Please contact Minuteman International, Inc. for procedures in warranty claims against these manufacturers.

Special warning to purchaser — Use of replacement filters and/or prefilters not manufactured by Minuteman International, Inc. or its designated licensees, will void all warranties expressed or implied.

A potential health hazard exists without exact original equipment replacement.

All warranted items become the sole property of Minuteman International, Inc. or its original manufacturer, whichever the case may be.

Minuteman International, Inc. disclaims any implied warranty, including the warranty of merchantability and the warranty of fitness for a particular purpose. Minuteman International, Inc. assumes no responsibility for any special, incidental or consequential damages.

This limited warranty is applicable only in the U.S.A. and Canada, and is extended only to the original user/purchaser of this product. Customers outside the U.S.A. and Canada should contact their local distributor for export warranty policies. Minuteman International, Inc. is not responsible for costs or repairs performed by persons other than those specifically authorized by Minuteman International, Inc. This warranty does not apply to damage from transportation, alterations by unauthorized persons, misuse or abuse of the equipment, use of non-compatible chemicals, or damage to property, or loss of income due to malfunctions of the product.

If a difficulty develops with this machine, you should contact the dealer from whom it was purchased.

This warranty gives you specific legal rights, and you may have other rights which vary from state to state. Some states do not allow the exclusion or limitation of special, incidental or consequential damages, or limitations on how long an implied warranty lasts, so the above exclusions and limitations may not apply to you.

Minuteman[®]

World Headquarters
Minuteman International, Inc.
111 South Rohlwing Road
Addison, Illinois 60101

Minuteman Canada, Inc.
2210 Drew Road
Mississauga, Ontario
L5S 1B1

(630) 627-6900
FAX (630) 627-1130

(905) 673-3222
FAX (905) 673-5161

987853
Printed in U.S.A.