

Minuteman[®]
Excellence Meets Clean



**Parts and Instruction Manual
Lead Vacuum
Dry Only**

This manual is furnished with each new **MINUTEMAN Lead Vacuum**. This provides the necessary operating and preventive maintenance instructions. Operators must read and understand this manual before operating or servicing this machine.

This machine was designed to give you excellent performance and efficiency. For best results and minimal cost, please follow the general guidelines below:

- Operate the machine with reasonable care.
- Follow the manufacturers suggested maintenance instructions as provided in this booklet.
- Use original Minuteman supplied parts.

TECHNICAL SPECIFICATIONS

Model

Lead Vacuum

| Model No. | C82985-06 | C82986-06 |
|--------------|-----------------------------------|-----------------------------------|
| Voltage | 115V | 240V |
| Tank Size | 6 gal (22 ltr) | 6 gal (22 ltr) |
| Power | 1.25 HP | 1.25 HP |
| Air Flow | 95 CFM | 95 CFM |
| Water Lift | 85" (2159 mm) | 85" (2159 mm) |
| Dry Capacity | .46 cu. ft (.013 m ³) | .46 cu. ft (.013 m ³) |
| Cord | 16-3, 50' (15 m) | 16-3, 50' (15 m) |
| Casters | 1-5/8" (1.13 cm) | 1-5/8" (1.13 cm) |
| Weight | 17 lbs (8 kg) | 17 lbs (8 kg) |

Table of Contents

| | |
|--|----------|
| IMPORTANT SAFETY INSTRUCTIONS | 1 |
| INSPECTION | 2 |
| ELECTRICAL | 2 |
| 115 Volt | 2 |
| 240 Volt | 2 |
| GROUNDING INSTRUCTIONS | 2 |
| USER MAINTENANCE INSTRUCTIONS | 3 |
| CLOTH BAG & HOSE ASSEMBLY | 3 |
| CORD STORAGE | 3 |
| Tools and Accessories | 4 |
| Exploded Views | 5 |
| Lid Assembly | 5 |
| Lid Assembly BOM | 6 |
| Tank Assembly | 7 |
| Bag Assembly | 8 |
| Minuteman International Made Simple Commercial Limited Warranty | 9 |

FOR COMMERCIAL USE ONLY

IMPORTANT SAFETY INSTRUCTIONS

Minuteman
Excellence Meets Clean

When using an electrical appliance, basic precautions should always be followed, including the following:

READ ALL INSTRUCTIONS BEFORE USING

WARNING - To reduce the risk of fire, electric shock, or injury:

- Do not leave appliance when plugged in. Unplug from outlet when not in use and before servicing.
- To avoid electrical shock, do not expose to rain, store indoors.

WARNING:

To reduce the risk of electrical shock - Do not use on wet surfaces. Do not expose to rain. Store indoors.

- Do not allow to be used as a toy. Close attention is necessary when used by or near children.
- Use only as described in this manual. Use only manufacturer's recommended attachments.
- Do not use with damaged cord or plug. If appliance is not working as it should, has been dropped, damaged, left outdoors, or dropped into water, return it to a service center.
- Do not pull or carry by cord, use cord as a handle, close a door on cord, or pull cord around sharp edges or corners. Do not run appliance over cord. Keep cord away from heated surfaces.
- Do not unplug by pulling on cord. To unplug, grasp the plug, not the cord.
- Do not handle plug or appliance with wet hands.
- Do not put any object into openings. Do not use with any opening blocked; keep free of dust, lint, hair, and anything that may reduce air flow.
- Keep hair, loose clothing, fingers, and all parts of body away from openings and moving parts.
- Do not pick up anything that is burning or smoking, such as cigarettes, matches, or hot ashes.
- Do not use without dustbag and/or filters in place.
- Turn off all controls before unplugging.
- Use extra care when cleaning on stairs.
- Do not use to pick up flammable or combustible liquids such as gasoline or use in areas where they may be present.
- Connect to a properly grounded outlet only. See grounding instructions.

SAVE THESE INSTRUCTIONS

INSPECTION

Carefully unpack and inspect your machine for shipping damage. Each unit is tested and thoroughly inspected before shipment, and any damage is the responsibility of the delivery carrier who should be notified immediately.

ELECTRICAL - 115 Volt

This machine is designed to operate on a standard 15 amp, 115 volt, 60 hz, AC circuit. Voltages below 105 volts AC or above 125 volts AC could cause serious damage to the motor.

ELECTRICAL - 240 Volt

This machine is designed to operate on a standard 10 amp, 230 volt, 50 hz, AC circuit.

WARNING

Electric motors can cause explosions when operated near explosive materials or vapors. Do not operate this machine near flammable materials such as solvents, thinners, fuels, grain dust, etc.

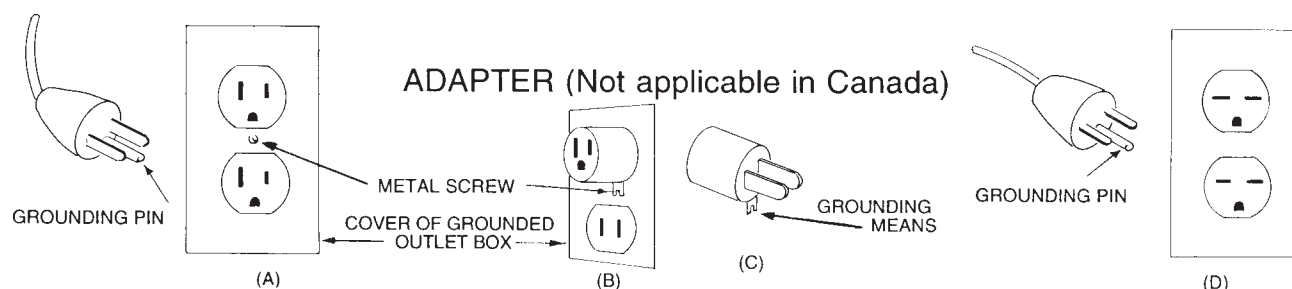
GROUNDING INSTRUCTIONS

This appliance must be grounded. If it should malfunction or breakdown, grounding provides a path of least resistance for electric current to reduce the risk of electric shock. This appliance is equipped with a cord having an equipment-grounding conductor and grounding plug. The plug must be plugged into an appropriate outlet that is properly installed and grounded in accordance with all local codes and ordinances.

DANGER

Improper connection of the equipment-grounding conductor can result in a risk of electric shock. Check with a qualified electrician or service person if you are in doubt as to whether the outlet is properly grounded. Do not modify the plug provided with the appliance — if it will not fit the outlet, have a proper outlet installed by a qualified electrician.

This machine is for use on a nominal 120 volt circuit and has a grounding plug that looks like the plug illustrated in Sketch A. Make sure that the machine is connected to an outlet having the same configuration as the plug. No adapter should be used with this appliance.



WARNING

This vacuum may contain potentially hazardous dust depending on its application. Special handling of contaminated disposal bags and filters is recommended. Disposal must be in compliance with local EPA regulations

USER MAINTENANCE INSTRUCTIONS

All service and repair should be performed by qualified vacuum service representative or electrician. No user serviceable components are employed in the electrical vacuum lid head assembly. No lubrication of the motor is required.

CLOTH BAG & HOSE ASSEMBLY

Cloth bag and hose assembly are user maintenance items and can be replaced when worn out. For optimum performance, empty and clean filter bag regularly. A clogged and dirty bag restricts the flow of air and results in reduced vacuum. The hose assembly can be maintained by wiping off with a dampened cloth of mild liquid soap and water, then allowed to dry.

CORD STORAGE




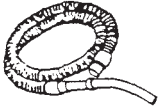
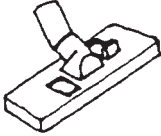


While not in use storage can be accomplished by winding cord around motor lid assembly. Cord should be completely unwound from lid assembly during operation.

- Do not use with damaged cord or plug. If appliance is not working as it should, has been dropped, damaged, left outdoors, or dropped into water, return to service center.
- Do not pull or carry by cord, use cord as handle, close a door on cord, or pull cord around sharp edges or corners. Do not run appliance over cord. Keep cord away from heated surfaces.
- Do not unplug by pulling cord. To unplug, grasp the plug, not the cord.
- Do not handle plug or appliance with wet hands.
- Always unplug the machine when removing the motor head off the tank. This equipment should be stored indoors and not exposed to rain.

Always unplug the machine when removing the motor head off the tank. This equipment should be stored indoors and not exposed to rain.

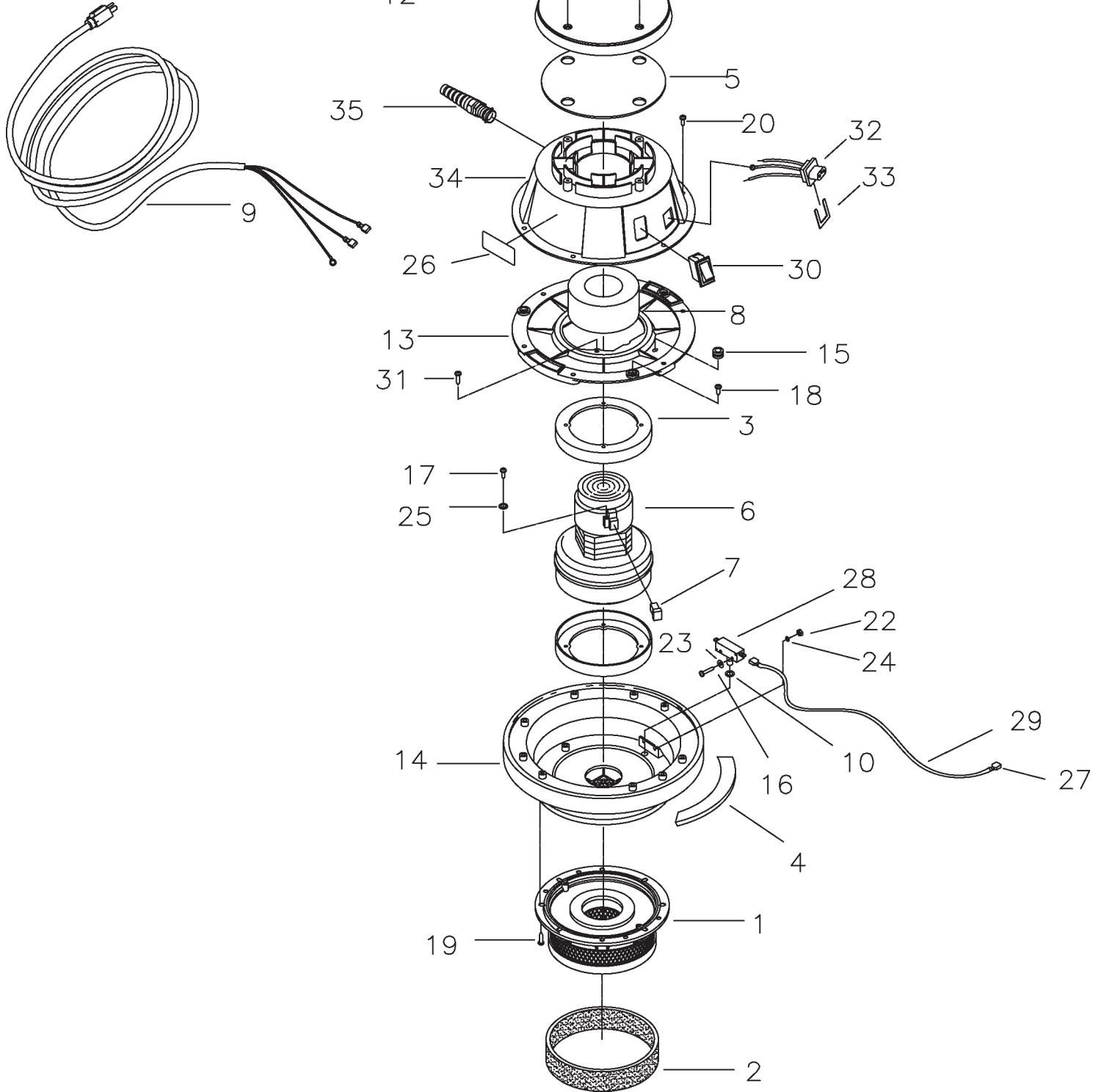
Tools and Accessories



| | | Part No. | Description |
|----------|---|--------------------------------------|---|
| A |  | 829563 | Dust Brush Complete |
| B |  | 829562 | Crevice Tool 1 1/4" (32 mm) |
| C |  | 829565MCH | Telescoping Wand Tube |
| D |  | 829849 390013 762241 829566 | Hose Asy 1 1/4" x 8' (32 mm x 2.4 m) Hose Cuff Hose Curved Hand Tool |
| E |  | 829561 | Combination Floor Tool |
| F |  | 829564 | Upholstery Tool |
| G |  | 384003PKG | Disposable Paper Replacement Filter Bags Package of 10 |

Exploded Views

Lid Assembly



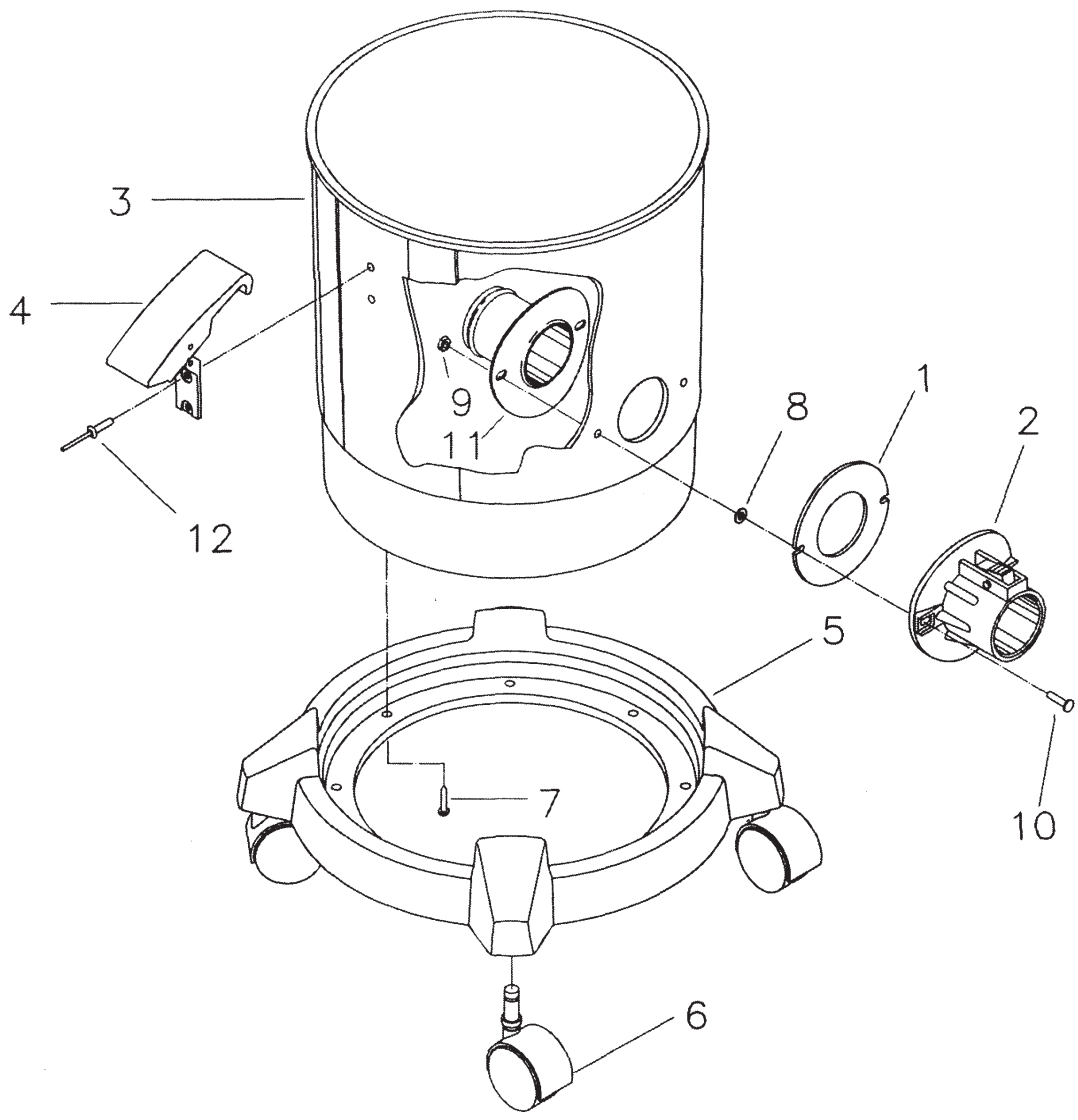
Lid Assembly BOM

| Item | Part No. | Qty. | Description |
|------|-----------|------|-------------------------------------|
| 1 | 110029 | 1 | Filter-ULPA, X829 Series |
| 2 | 110030PKG | 1 | Prefilter Sleeve, 829/839, Pkg of 6 |
| 3 | 290017 | 2 | Molded Vac Mtr Gasket |
| 4 | 290031 | 1 | Lid Gasket 294/6 Diecut |
| 5 | 290032 | 1 | Dome Seal 296 |
| 6 | 380001-4 | 1 | Vac Motor 120V (ECM) w/ Wires |
| 6A | 380054 | 1 | Vac Motor 240V |
| 7 | 380005 | 2 | Carbon Brush Replacement (ECM) |
| 7A | 380028 | 2 | Carbon Brush Replacement |
| 8 | 380064 | 1 | Foam Ring |
| 9 | 381020 | 1 | Cord 16GA-3 50FT Med Grey |
| 9A | 740083 | 1 | Cord F2 G1.5 MM 40FT |
| 10 | 390062 | 1 | O-Ring-Valve Seat Body |
| 11 | 460001 | 1 | Handle Basic 460 Black |
| 12 | 460101 | 1 | Motor Cap Black |
| 13 | 460104MCH | 1 | Mtr Holdown 829 Series |
| 14 | 460120 | 1 | Motor Pan Assy 829 Series |
| 15 | 700287 | 1 | Grommet |
| 16 | 710307 | 2 | SCR-MC 6/32 x 1 ZINC |
| 17 | 711124 | 1 | SCR-ST-B 10 x .37 NI |
| 18 | 711125 | 3 | SCR-ST-B 10 x .5 NI |
| 19 | 711160 | 9 | SCR Hi/Lo #10 x 5/8 ZINC |
| 20 | 711161 | 8 | SCR Hi/Lo #10 x 3/4 ZINC |
| 21 | 711162 | 2 | SCR Hi/Lo #10 x 1 1/2 ZINC |
| 22 | 711301 | 2 | Nut-HEX 6/32 ST PL |
| 23 | 711502 | 2 | WSR-Flat #8 |
| 24 | 711551 | 2 | WSR-Internal Lock #6 |
| 25 | 711553 | 1 | WSR-Internal Lock #10 |
| 26 | 715009 | 1 | Decal Warning to Avoid |
| 27 | 740014 | 4 | Term 14-16G 1/4 Full Ins Female |
| 28 | 740029 | 1 | Switch Snap SP ST PB NO/NC |
| 29 | 740938 | 1 | Wire Assy 16G Black 14.00" |
| 30 | 809754 | 1 | Switch Rocker |
| 31 | 828893 | 1 | Rivet-BAP KTR64BX |
| 32 | 831801 | 1 | Receptical |
| 33 | 831801-1 | 1 | Receptical Clip |
| 34 | 832201 | 1 | Motor Lid Cover 294 Dry |
| 35 | 833237 | 1 | Strain Relief w/Nut |
| *** | 829117 | 1 | Lid Assembly Comp Leadvac 115V |
| *** | 829220 | 1 | Lid Assembly Comp 230V |

WARNING

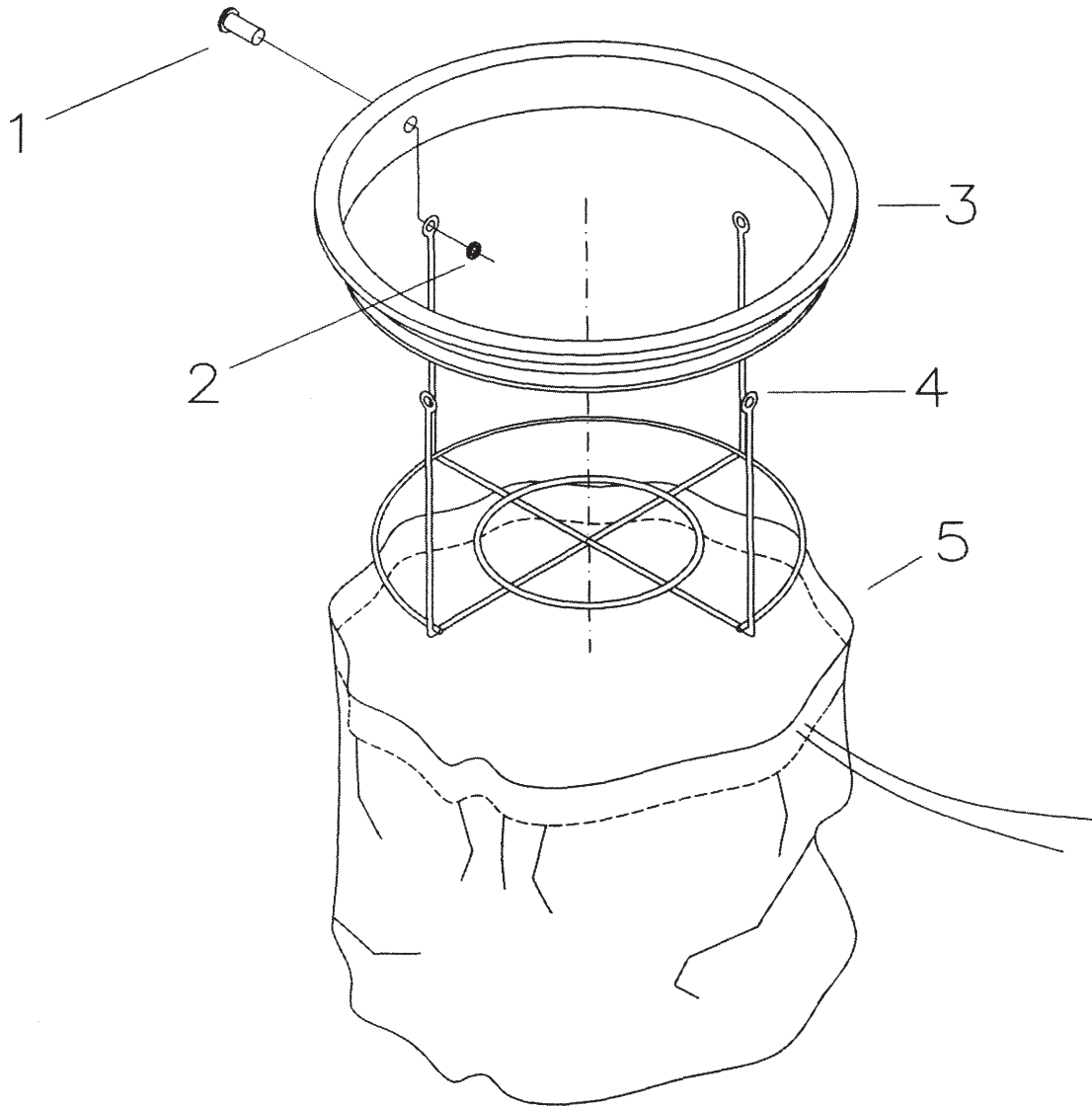
This vacuum may contain potentially hazardous dust depending on its application. Special handling of contaminated disposal bags and filters is recommended. Disposal must be in compliance with local EPA regulations

Tank Assembly



| Item | Part No. | Qty. | Description |
|------|----------|------|--------------------------------|
| 1 | 390087 | 1 | Gasket Diecut VNN |
| 2 | 390110 | 1 | Intake Assembly Aluminum |
| 3 | 460109 | 1 | Tank 6 Gal Low Intake |
| 4 | 460114 | 2 | Latch Poly Tank |
| 5 | 460115 | 1 | Dolly, Plast Vac Tnk Blk |
| 6 | 460118 | 4 | Caster |
| 7 | 711160 | 4 | SCR Hi/Lo #10 x 5/8 Zinc |
| 8 | 712320 | 2 | WSR .22 x .45 x .048 NYL |
| 9 | 712638 | 2 | Nut Hex 10-24 SS Nyloc |
| 10 | 712824 | 2 | SCR-MC 10-24 x .75 TRUSS HD ST |
| 11 | 750118 | 1 | Intake Assy Tube 4/6 Gal |
| 12 | 828893 | 4 | Rivet-BAP KTR64BX |
| *** | 290010 | 1 | Tank Asy 6 GIM LI IT |

Bag Assembly



| Item | Part No. | Qty. | Description |
|------|-----------|------|--------------------------|
| 1 | 711909 | 4 | Rivet Pop .19x.44 AL |
| 2 | 712764 | 4 | Washer #10 SS |
| 3 | 760244MCH | 1 | Plastic Bag Frame w/Hole |
| 4 | 760406PLT | 1 | Bag Frame 6 gal Plated |
| 5 | 805040 | 1 | Bag, Cloth Bag Only 6G |
| *** | 800056 | 1 | Bag Asy w/Frame 6gal |

Minuteman International Made Simple Commercial Limited Warranty

Minuteman International, Inc. warrants to the original purchaser/user that the product is free from defects in workmanship and materials under normal use. Minuteman will, at its option, repair or replace without charge, parts that fail under normal use and service when operated and maintained in accordance with the applicable operation and instruction manuals. All warranty claims must be submitted through and approved by factory authorized repair stations.

This warranty does not apply to normal wear, or to items whose life is dependent on their use and care, such as belts, cords, switches, hoses, rubber parts, electrical motor components or adjustments. Parts not manufactured by Minuteman are covered by and subject to the warranties and/or guarantees of their manufacturers. Please contact Minuteman for procedures in warranty claims against these manufacturers.

Special warning to purchaser -- Use of replacement filters and/or prefilters not manufactured by Minuteman or its designated licensees, will void all warranties expressed or implied. A potential health hazard exists without original equipment replacement.

All warranted items become the sole property of Minuteman or its original manufacturer, whichever the case may be.

Minuteman disclaims any implied warranty, including the warranty of merchantability and the warranty of fitness for a particular purpose. Minuteman assumes no responsibility for any special, incidental or consequential damages.

This limited warranty is applicable only in the U.S.A. and Canada, and is extended only to the original user/purchaser of this product. Customers outside the U.S.A. and Canada should contact their local distributor for export warranty policies. Minuteman is not responsible for costs or repairs performed by persons other than those specifically authorized by Minuteman. This warranty does not apply to damage from transportation, alterations by unauthorized persons, misuse or abuse of the equipment, use of non-compatible chemicals, or damage to property, or loss of income due to malfunctions of the product.

If a difficulty develops with this machine, you should contact the dealer from whom it was purchased.

This warranty gives you specific legal rights, and you may have other rights which vary from state to state. Some states do not allow the exclusion or limitation of special, incidental or consequential damages, or limitations on how long an implied warranty lasts, so the above exclusions and limitations may not apply to you.

Cord Electric Group..... Three years parts, two years labor, ninety days travel (Not to exceed two hours)
Exceptions..... Port-A-Scrub, one year parts, six months labor
MPV 13, one year parts
MPV 14 and 18, two years parts, one year labor
RapidAir blower, one year parts, one year labor
Explosion-Proof Vacuum, one year parts, one year labor
Pneumatic Vacuums, three years parts, one year labor

Battery Operated Group..... Three years parts, two years labor, ninety days travel
(Not to exceed two hours)
Exceptions..... Sweepers, one year parts, one year labor, ninety days travel
(Not to exceed two hours)

Internal Combustion Group....One year parts, one year labor, ninety day travel
(Not to exceed two hours)

Replacement Parts.....Ninety days

Batteries.....0-3 months replacement, 4-12 months pro-rate

Polypropylene Plastic Tanks...Ten years, no additional labor